

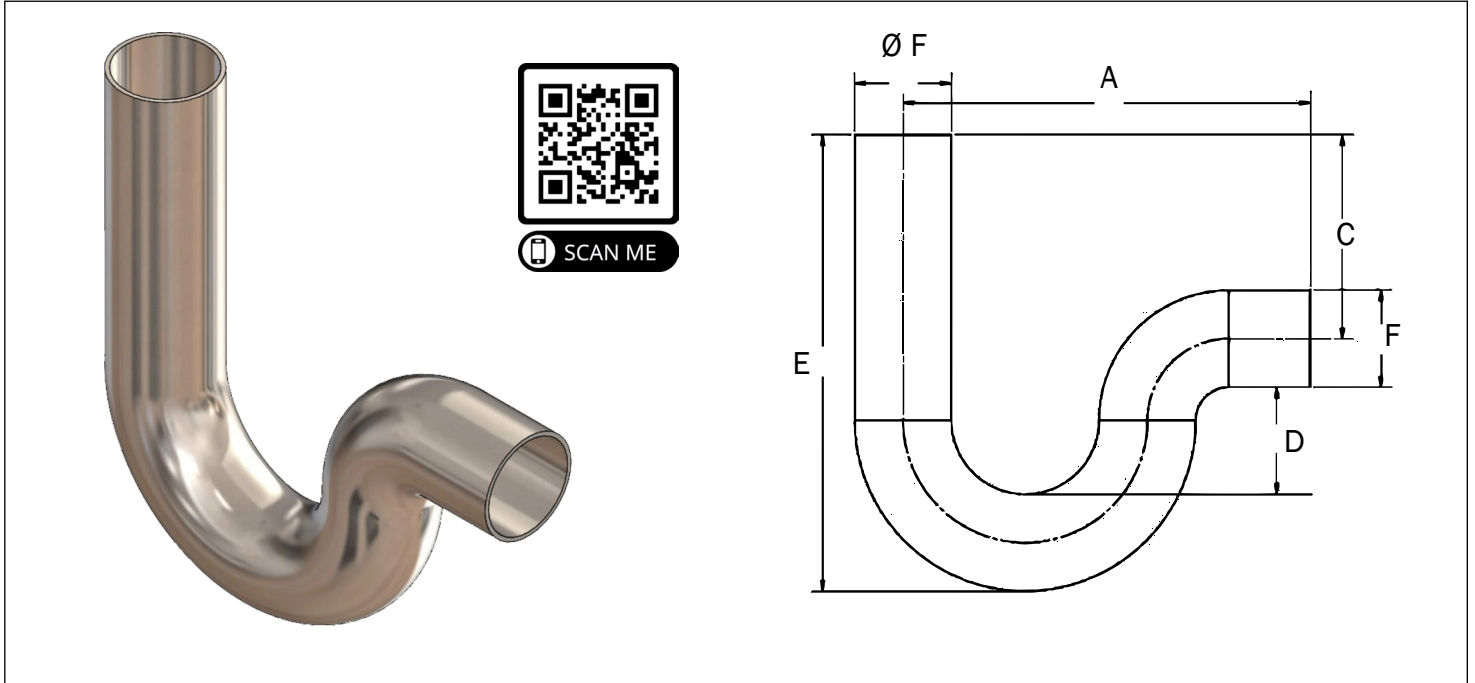
Location: _____



P8500

P8500 - Type 316 Stainless Steel Fabricated P-Trap

Specification: MIFAB® P8500, 12 gauge Type 316 stainless steel P-trap with bead blasted finish. P-trap meets the U.S. FDA corrosion resistance requirements. Manufactured with either 2", 3", 4", 6", 8" or 10" no hub outlet connections.



MODEL NUMBER	DESCRIPTION	WEIGHT Lbs.
P8502	Type 316 stainless steel p-trap, 2" no hub outlet	4
P8503	3" no hub inlet	10
P8504	4" no hub inlet	14
P8506	6" no hub outlet	29
P8508	8" no hub outlet	52
P8510	10" no hub outlet	83

Model Number	No Hub Outlet Connection (F)	E	D	A	C
P8502	2" (52)	2"(50.8)	11 1/4" (284)	2 5/8" (88.8)	10" (254)
P8503	3" (76)	3" (76)	17 1/4" (438)	3 5/8" (92)	16" (406)
P8504	4" (102)	4" (102)	18 1/4" (464)	4 5/8" (118)	17 1/2" (446)
P8506	6" (152)	6" (152)	27 3/8" (694)	4 3/4" (119)	23 3/4" (603)
P8508	8" (203)	8" (203)	36 1/8" (919)	7 5/8" (195)	32" (813)
P8510	10" (254)	10" (254)	45 3/4" (1,160)	9 3/8" (240)	40" (1,016)

CALIFORNIA PROPOSITION 65 WARNING. This product contains chemicals known to the State of California to cause cancer and birth defects or other reproductive harm.

Job Name: _____

Page No: _____

Section No: _____

Contractor: _____

Schedule No: _____

Purchase Order No: _____