

Location: _____



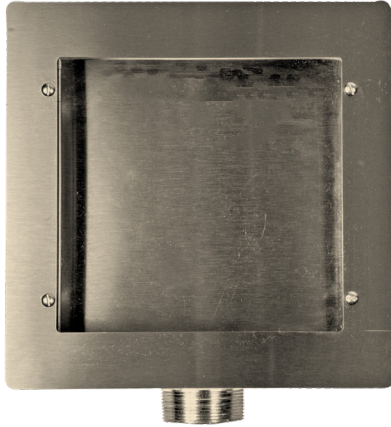
P8400

STAINLESS FABRICATED WASHING MACHINE BOX

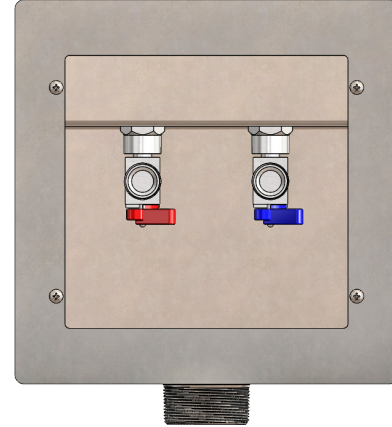
Specification: MIFAB® Series P8400, washing machine box manufactured out of 16 gauge, Type 304 stainless steel with mounting tabs and 2" NPT bottom outlet (Specify -90 for side inlet and -91 for top inlet). MIFAB Series P8400-DO is manufactured with chrome plated brass 1/2" shut off valves.

Function: Used to house the controls required to operate washing machines. Stainless steel construction provides an anti-microbial finish.

P8400

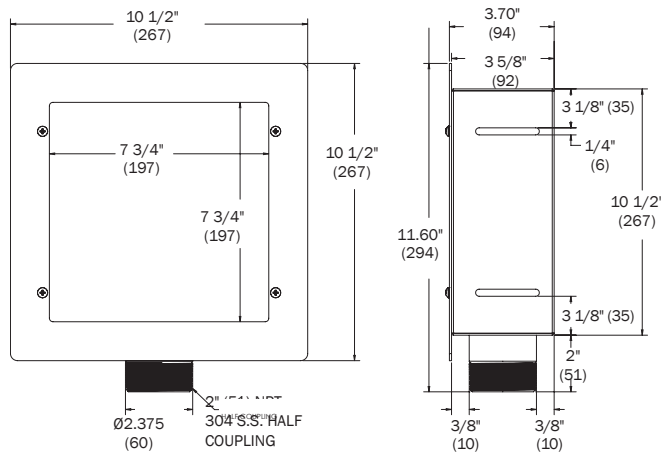


P8400-DO

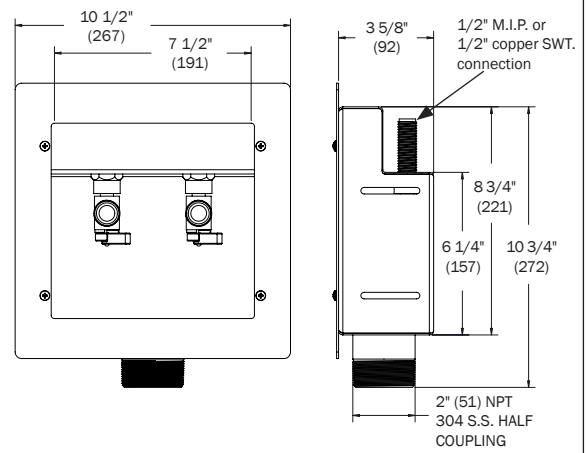


Note: Every order of this product is a special / custom order fabrication. This product is non-returnable, and non-cancellable.

P8400



P8400-DO



MODEL NUMBER	DESCRIPTION
P8400	Type 304, Stainless Steel Washing Machine Box
P8400-DO	Type 304, Stainless Steel Washing Machine Box with Shut Off Valves

OPTIONAL VARIATIONS

- 90** 90 Degree Outlet
- 91** Inlet on the top

NOTE: Type 316 S.S. product available. Contact MIFAB® for pricing.

CALIFORNIA PROPOSITION 65 WARNING. This product contains chemicals known to the State of California to cause cancer and birth defects or other reproductive harm.

Job Name: _____ Page No: _____
 Section No: _____ Contractor: _____
 Schedule No: _____ Purchase Order No: _____