

Location: \_\_\_\_\_

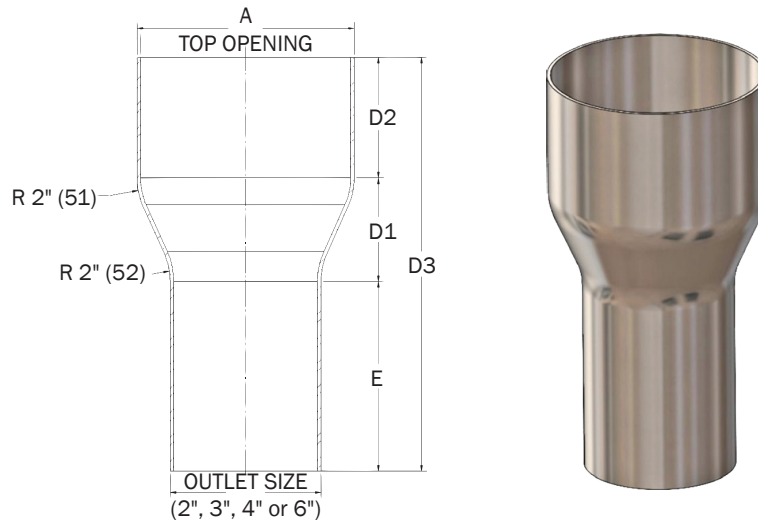


**P8300**

**TYPE 316 STAINLESS STEEL  
FABRICATED HUB DRAIN**

**Specification:** MIFAB® P8300, 12 gauge Type 316 stainless steel hub drain with bead blasted finish. Drain meets the U.S. FDA corrosion resistance requirements. Manufactured with either 2", 3", 4" or 6" no hub outlet connections.

**Function:** Used in kitchen, restaurant and food processing areas where indirect waste lines above the floor drip condensate or waste water into the hub.



Model Number	No Hub Outlet Connection (F)	Top Opening (A)	D1	D2	D3	E	Weight (lbs.)
P8302	2" (52)	3" (76)	2 1/2" (64)	3" (76)	9" (229)	3 1/2" (89)	2
P8303	3" (76)	4" (102)	3" (76)	3" (76)	10" (254)	4" (102)	4
P8304	4" (102)	6" (152)	3" (76)	3 1/2" (89)	12" (305)	5 1/2" (140)	6
P8306	6" (152)	8" (205)	3" (76)	3 1/2" (89)	12" (305)	5 1/2" (140)	10

CALIFORNIA PROPOSITION 65 WARNING. This product contains chemicals known to the State of California to cause cancer and birth defects or other reproductive harm.

Job Name: \_\_\_\_\_ Page No: \_\_\_\_\_  
 Section No: \_\_\_\_\_ Contractor: \_\_\_\_\_  
 Schedule No: \_\_\_\_\_ Purchase Order No: \_\_\_\_\_