

Location: _____



P8100 / P8200

**Stainless Steel Fabricated
Downspout Boot**

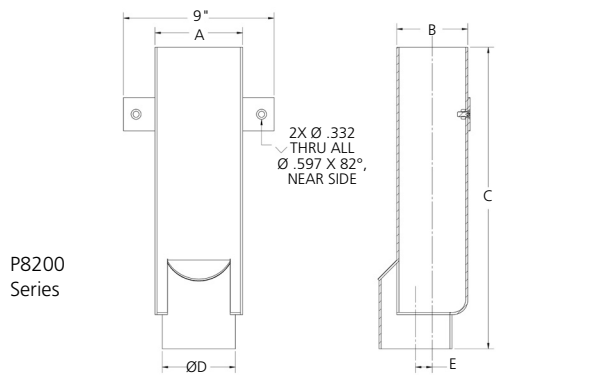
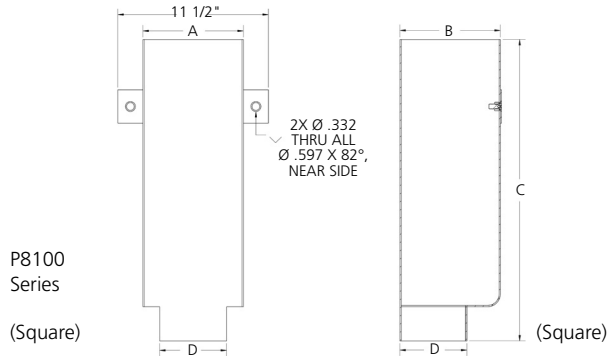
SPECIFICATION:

MIFAB® Series (specify P8100 Series for square outlet and P8200 Series for round outlet) downspout boot manufactured out of 16 gauge, Type 304 stainless steel with mounting tabs.

FUNCTION:

Used as a transition piece to connect sheet metal exposed downspouts or interior roof drainage leaders to underground soil pipe or exterior splash blocks. Stainless steel construction provides an anti-microbial finish.

Note: Every order of this product is a special / custom order fabrication. This product is non returnable and noncancellable.



(P8186-24 illustrated)

MODEL NUMBER	DIMENSIONS				
	A	B	C	D	E
P8166-18	6"	6"	18"	4" x 4"	1"
P8166-24	6"	6"	24"	4" x 4"	1"
P8186-18	8"	6"	18"	6" x 6"	1"
P8186-24	8"	6"	24"	6" x 6"	1"
P8254-18	5 1/4"	4 1/4"	18"	4" Dia.	1"
P8254-24	5 1/4"	4 1/4"	24"	4" Dia.	1"
P8266-18	6"	6"	18"	4" Dia.	1"
P8266-24	6"	6"	24"	4" Dia.	1"
P8286-18	8"	6"	18"	6" Dia.	1"
P8286-24	8"	6"	24"	6" Dia.	1"

OPTIONAL VARIATIONS	DESCRIPTION
29	Type 316 Stainless Steel
-90	90 Degree Outlet

CALIFORNIA PROPOSITION 65 WARNING. This product contains chemicals known to the State of California to cause cancer and birth defects or other reproductive harm.

Job Name: _____ Page No: _____
 Section No: _____ Contract: _____
 Schedule No: _____ Purchase Order No: _____