

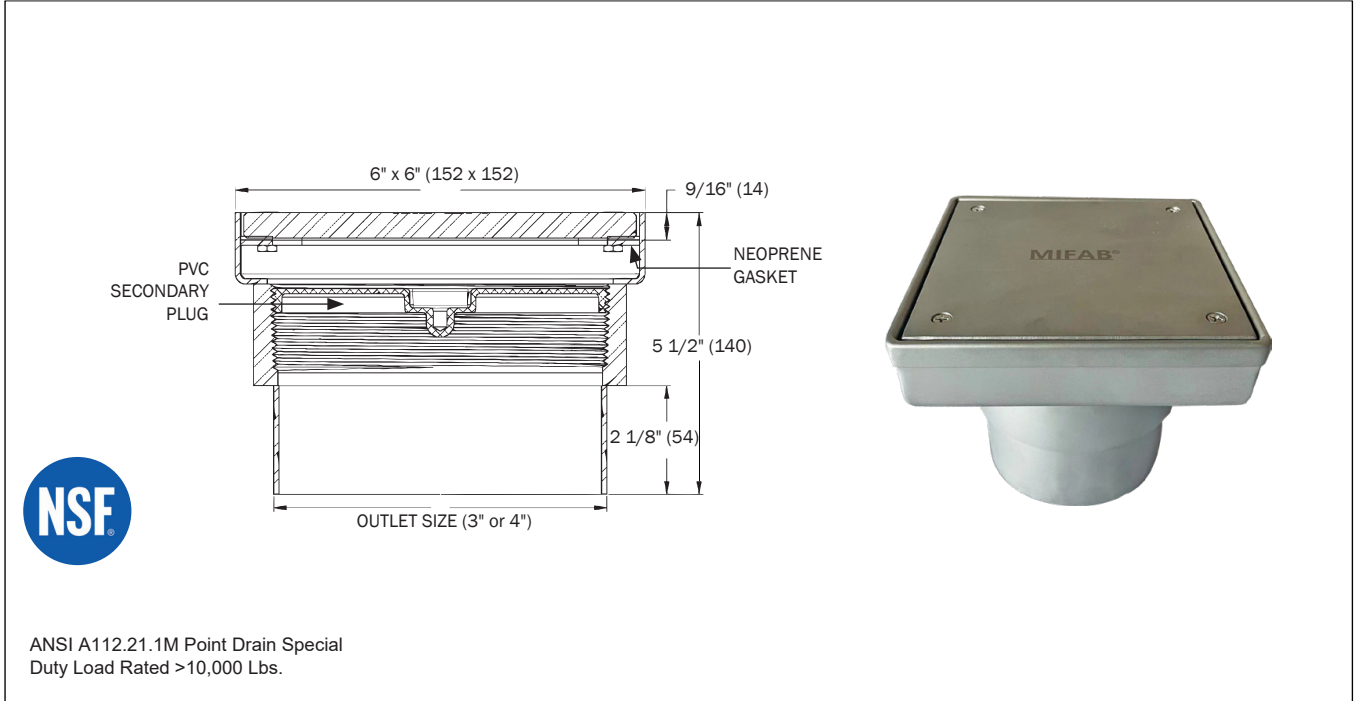
Location: _____



P7060-S

**6" SQUARE, TYPE 316 STAINLESS STEEL
FABRICATED INDUSTRIAL FLOOR CLEANOUT**

Specification: MIFAB® P7060-S, 6" square, 12 gauge Type 316 stainless steel, industrial sanitary floor cleanout with special duty load rated gasketed cover (1/2" thick plate) PVC secondary plug and bead blasted finish. Cleanout meets the U.S. FDA Standards for corrosion resistance. Manufactured with either 3" or 4" no hub outlet connections.



MODEL NUMBER	DESCRIPTION
P7063-S	6 5/8" square, 12 gauge Type 316 stainless steel floor cleanout with special duty load rated gasketed cover with 3" No Hub outlet.
P7064-S	6 5/8" square, 12 gauge Type 316 stainless steel floor cleanout with special duty load rated gasketed cover with 4" No Hub outlet.

OPTIONAL VARIATIONS

- K 6" x 6" (152 x 152) top plate
- BG 6 5/8" square, 12 gauge Type 316 stainless steel floor cleanout with special duty load rated gasketed cover with 3" No Hub outlet.
- G7 6 5/8" square, 12 gauge Type 316 stainless steel floor cleanout with special duty load rated gasketed cover with 4" No Hub outlet.
- H 6 5/8" square, 12 gauge Type 316 stainless steel floor cleanout with special duty load rated gasketed cover with 3" No Hub outlet.
- (6 5/8" square, 12 gauge Type 316 stainless steel floor cleanout with special duty load rated gasketed cover with 4" No Hub outlet.)
- (6 5/8" square, 12 gauge Type 316 stainless steel floor cleanout with special duty load rated gasketed cover with 3" No Hub outlet.)

CALIFORNIA PROPOSITION 65 WARNING. This product contains chemicals known to the State of California to cause cancer and birth defects or other reproductive harm.

Job Name: _____ Page No: _____
 Section No: _____ Contractor: _____
 Schedule No: _____ Purchase Order No: _____