

Location: _____

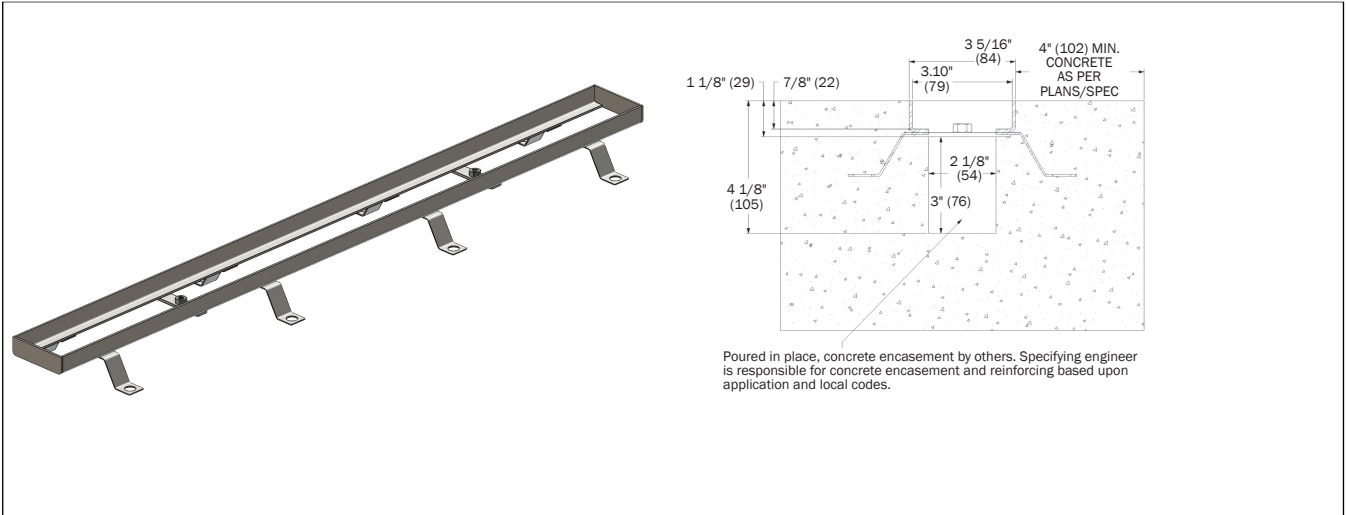


P6230

3" WIDE, 2" INTERNAL WIDTH, STAINLESS STEEL FRAME AND GRATE SYSTEM

Specification: MIFAB® Series P6230, 3" wide, 10 gauge, Type 304 stainless steel angle frame and anchor tabs with bead blasted finish.

Function: Used in kitchens, food processing and other sanitary areas that require a narrow opening to collect wastewater. Stainless steel construction provides an anti - microbial finish.



MODEL NUMBER	DESCRIPTION
P6230	3" wide, Type 304 Stainless Steel Frame System

OPTIONAL VARIATIONS

- 6 Vandal Proof grates (center lockdown)
- 45 45 Degree fabricated frame
- 90 90 Degree fabricated frame
- CF Cross fabricated frame
- TEE Tee fabricated frame

NOTE: Flow rate information per channel section is available on the www.mifab.com website

NOTE: Custom widths, depths, slopes and profiles available upon request. Contact MIFAB®.

NOTE: Type 316 S.S. product available. Contact MIFAB® for pricing.

CALIFORNIA PROPOSITION 65 WARNING. This product contains chemicals known to the State of California to cause cancer and birth defects or other reproductive harm.

Job Name: _____ Page No: _____
Section No: _____ Contractor: _____
Schedule No: _____ Purchase Order No: _____