

Location: _____

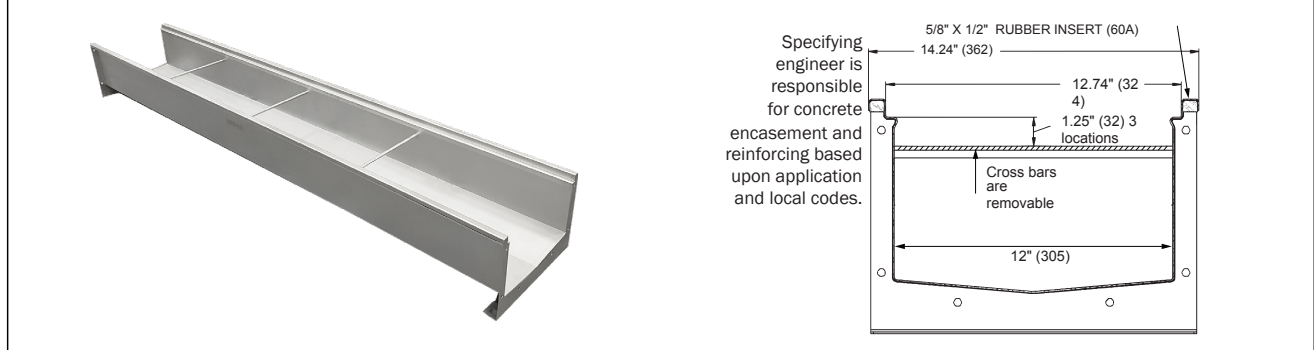


P6120

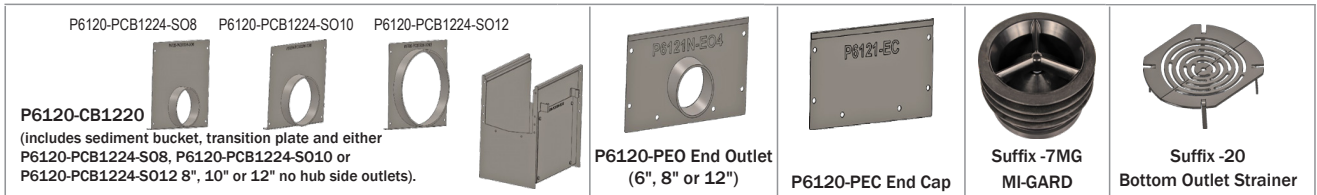
14" WIDE, 12" INTERNAL WIDTH, STAINLESS STEEL BODY AND GRATE SYSTEM

Specification: MIFAB® Series P6120, 14" wide, 12" internal width, 16 gauge fabricated Type 304 stainless steel presloped trench drain (1% / 1/8" per foot). Channels are available in one and two meter lengths, have flanged ends to connect to each other with a neoprene rubber gasket in between. Bottom and end outlets are available in 6", 8" or 12" no hub outlet connections.

Function: Used in industrial, commercial, kitchen and other hygienic areas. Type 304 stainless steel construction provides for ease of cleaning, maintenance and sanitary installation. The inside of the body is manufactured without any overlapping material to ensure that bacteria does not have a place to grow. All grate openings are polished to a smooth finish.



CHANNEL#	LENGTH	C1 (Shallow Invert)	C2 (Deep Invert)
P6121	78.74" (2m)	6" (152.4)	6.78" (172)
P6121N-PB	78.74" (2m)	6.78" (172)	6.78" (172)
P6121N-PB-B06	78.74" (2m) (w/6" BO)	6.78" (172)	6.78" (172)
P6121N-PB-B08	78.74" (2m) (w/8" BO)	6.78" (172)	6.78" (172)
P6121N-PB-B012	78.74" (2m) (w/12" BO)	6.78" (172)	6.78" (172)
P6121N-PB-1M	39.37" (1m)	6.78" (172)	6.78" (172)
P6122-PB	78.74" (2m)	6.78" (172)	7.56" (192)
P6123-PB	78.74" (2m)	7.56" (192)	8.34" (212)
P6123N-PB	78.74" (2m)	8.34" (212)	8.34" (212)
P6123N-PB-B06	78.74" (2m) (w/6" BO)	8.34" (212)	8.34" (212)
P6123N-PB-B08	78.74" (2m) (w/8" BO)	8.34" (212)	8.34" (212)
P6123N-PB-B012	78.74" (2m) (w/12" BO)	8.34" (212)	8.34" (212)
P6123N-PB-1M	39.37" (1m)	8.34" (212)	8.34" (212)
P6124-PB	78.74" (2m)	8.34" (212)	9.12" (232)
P6125-PB	78.74" (2m)	9.12" (232)	9.9" (251)
P6125N-PB	78.74" (2m)	9.9" (251)	9.9" (251)
P6125N-PB-B06	78.74" (2m) (w/6" BO)	9.9" (251)	9.9" (251)
P6125N-PB-B08	78.74" (2m) (w/8" BO)	9.9" (251)	9.9" (251)
P6125N-PB-B012	78.74" (2m) (w/12" BO)	9.9" (251)	9.9" (251)
P6125N-PB-1M	39.37" (1m)	9.9" (251)	9.9" (251)



MODEL #	DESCRIPTION	MATERIAL	WEIGHT (Lbs.)
P6120-CB1220	12" x 20" Catch Basin with sediment bucket and transition (includes sediment bucket, transition plate and either P6120-PCB1224-SO8, P6120-PCB1224-SO10 or P6120-PCB1224-SO12 8", 10" or 12" no hub side outlets). (See Page 17 for Catch Basin dimensions)	Type 304 Stainless Steel	16.00
P6120-PEO6	6" No Hub End Outlet	Type 304 Stainless Steel	2.00
P6120-PEO8	8" No Hub End Outlet	Type 304 Stainless Steel	2.00
P6120-PEO12	12" No Hub End Outlet	Type 304 Stainless Steel	2.00
P6120-PEC	Closed End Cap	Type 304 Stainless Steel	2.00
-7MG	MI-GARD Trap Seal Protection Device	Silicone Rubber	2.00
-20	Bottom Outlet Strainer 6" -P6120-BO6-ST, 8" - P6120-BO8-ST, 12" - P6120-BO8-ST	Type 304 Stainless Steel	2.00
-45	45 Degree fabricated body	Type 304 Stainless Steel	-
-90	90 Degree fabricated body	Type 304 Stainless Steel	-
-C	Membrane clamp (includes anchor flange)	Type 304 Stainless Steel	-
-CF	Cross fabricated body	Type 304 Stainless Steel	-
-FL	Anchor (Waterproofing) flange	Type 304 Stainless Steel	-
-TEE	Tee fabricated body	Type 304 Stainless Steel	-

CALIFORNIA PROPOSITION 65 WARNING. This product contains chemicals known to the State of California to cause cancer and birth defects or other reproductive harm.

Job Name: _____ Page No: _____
 Section No: _____ Contractor: _____
 Schedule No: _____ Purchase Order No: _____