

Location: _____

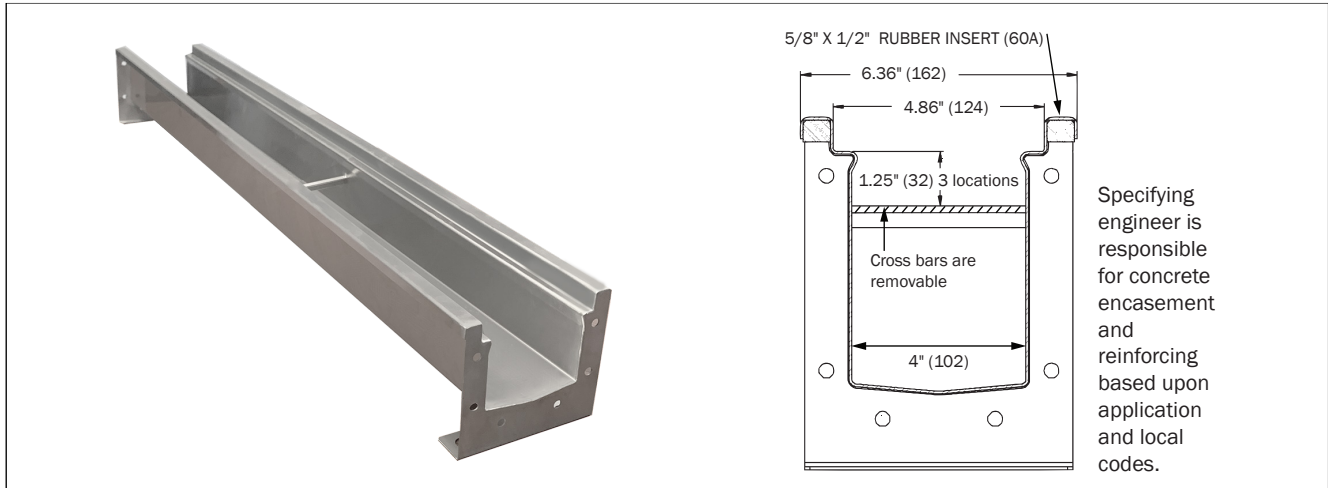


P6060

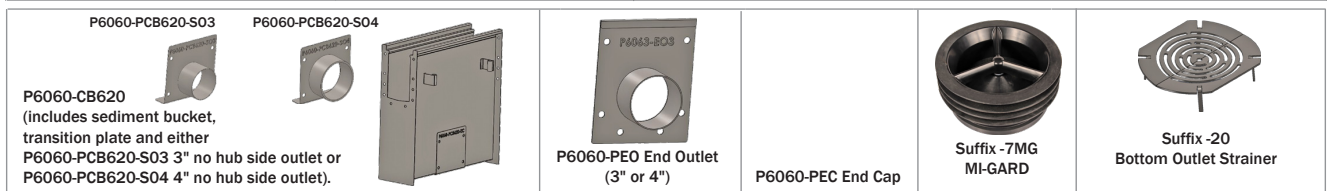
6" WIDE, 4" INTERNAL WIDTH, STAINLESS STEEL CHANNEL AND GRATE SYSTEM

Specification: MIFAB® Series P6060, 6" wide, 4" internal width, 16 gauge fabricated Type 304 stainless steel presloped trench drain (1% / 1/8" per foot). Channels are available in one and two meter lengths, have flanged ends to connect to each other with a neoprene rubber gasket in between. Bottom and end outlets are available in 3" or 4" no hub outlet connections.

Function: Universal gasket for connecting channels, end caps and end outlets with hardware included with every channel, end cap / end outlet ordered



CHANNEL #	LENGTH	C1 (Shallow invert)	C2 (Deep invert)
P6061-PB	78.74" (2m)	4" (102)	4.78" (121)
P6061N-PB	78.74" (2m)	4.78" (121)	4.78" (121)
P6061N-PB-B03	78.74" (2m) (w/3" B0)	4.78" (121)	4.78" (121)
P6061N-PB-B04	78.74" (2m) (w/4" B0)	4.78" (121)	4.78" (121)
P6061N-PB-B1M	39.37" (1m)	4.78" (121)	4.78" (121)
P6062-PB	78.74" (2m)	4.78" (121)	5.56" (141)
P6063-PB	78.74" (2m)	5.56" (141)	6.34" (161)
P6063N-PB	78.74" (2m)	6.34" (161)	6.34" (161)
P6063N-PB-B03	78.74" (2m) (w/3" B0)	6.34" (161)	6.34" (161)
P6063N-PB-B04	78.74" (2m) (w/4" B0)	6.34" (161)	6.34" (161)
P6063N-PB-1M	39.37" (1m)	6.34" (161)	6.34" (161)
P6064-PB	78.74" (2m)	6.34" (161)	7.12" (181)
P6065-PB	78.74" (2m)	7.12" (181)	7.9" (201)
P6065N-PB	78.74" (2m)	7.9" (201)	7.9" (201)
P6065N-PB-B03	78.74" (2m) (w/3" B0)	7.9" (201)	7.9" (201)
P6065N-PB-B04	78.74" (2m) (w/4" B0)	7.9" (201)	7.9" (201)
P6065N-PB-1M	39.37" (1m)	7.9" (201)	7.9" (201)



CALIFORNIA PROPOSITION 65 WARNING. This product contains chemicals known to the State of California to cause cancer and birth defects or other reproductive harm.

Job Name: _____ Page No: _____
 Section No: _____ Contractor: _____
 Schedule No: _____ Purchase Order No: _____