

Location: \_\_\_\_\_

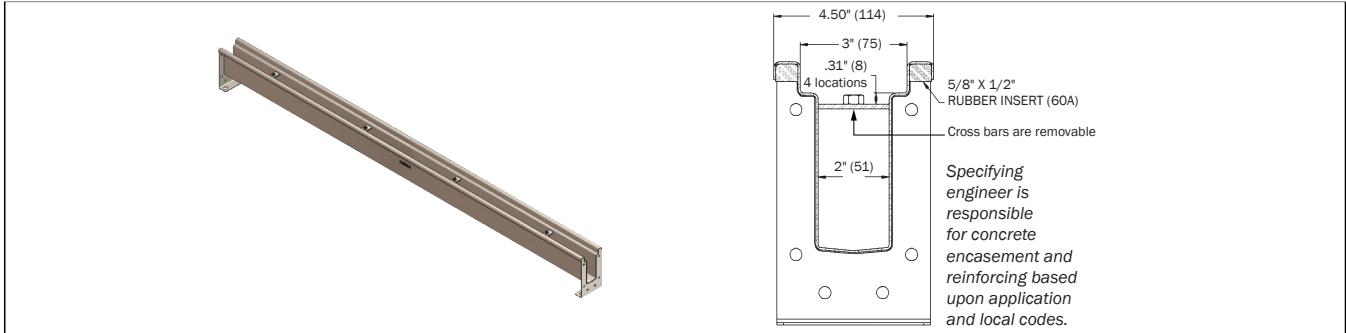


**P6030**

**3" WIDE, 2" INTERNAL WIDTH STAINLESS STEEL CHANNEL AND GRATE SYSTEM**

**Specification:** MIFAB® Series P6030, 3" wide, 2" internal width, 16 gauge fabricated Type 304 stainless steel presloped trench drain (1% / 1/8" per foot). Channels are available in one and two meter lengths, have flanged ends to connect to each other with a neoprene rubber gasket in between. End outlets are available in 2" no hub only and bottom outlets are available in either 2" or 3" no hub outlet connections.

**Function:** Used in kitchens, food processing and other sanitary areas that require a narrow opening to collect wastewater. Stainless steel construction provides an anti - microbial finish.



CHANNEL#	LENGTH	C1 (Shallow invert)	C2 (Deep Invert)
P6031-PB	78.74" (2m)	3" (50.8)	3.78" (96)
P6031N-PB	78.74" (2m)	3.78" (96)	3.78" (96)
P6031N-PB-B02	78.74" (2m) (w/2" BO)	3.78" (96)	3.78" (96)
P6031N-PB-B03	78.74" (2m) (w/3" BO)	3.78" (96)	3.78" (96)
P6031N-PB-1M	39.37" (1m)	3.78" (96)	3.78" (96)
P6032-PB	78.74" (2m)	3.78" (96)	4.75" (121)
P6033-PB	78.74" (2m)	4.75" (121)	5.36" (136)
P6033N-PB	78.74" (2m)	5.36" (136)	5.36" (136)
P6033N-PB-B02	78.74" (2m) (w/2" BO)	5.36" (136)	5.36" (136)
P6033N-PB-B03	78.74" (2m) (w/3" BO)	5.36" (136)	5.36" (136)
P6033N-PB-1M	39.37" (1m)	5.36" (136)	5.36" (136)
P6034-PB	78.74" (2m)	5.36" (136)	6.15" (156)
P6035-PB	78.74" (2m)	6.15" (156)	6.94" (176)
P6035N-PB	78.74" (2m)	6.94" (176)	6.94" (176)
P6035N-PB-B02	78.74" (2m) (w/2" BO)	6.94" (176)	6.94" (176)
P6035N-PB-B03	78.74" (2m) (w/3" BO)	6.94" (176)	6.94" (176)
P6035N-PB-1M	39.37" (1m)	6.94" (176)	6.94" (176)



MODEL #	DESCRIPTION	MATERIAL	WEIGHT (Lbs.)
P6030-CB320	3" x 20" Catch Basin with sediment bucket and transition (includes sediment bucket, transition plate and P6030-PCB320-S02 2" no hub side outlet). (See Page 17 for Catch Basin dimensions)	Type 304 Stainless Steel	10.00
P6030-PEO	2" No Hub End Outlet	Type 304 Stainless Steel	2.00
P6030-PEC	Closed End Cap	Type 304 Stainless Steel	2.00
-6	Vandal Proof, (Center Lockdown)	Type 304 Stainless Steel	1.00
-7MG	MI-GARD Trap Seal Protection Device (2" only)	Silicone Rubber	2.00
-20	Bottom Outlet Strainer 2" -P6030-B02-ST, 3" - P6030-B03-ST	Type 304 Stainless Steel	2.00
-45	45 Degree fabricated body	Type 304 Stainless Steel	-
-90	90 Degree fabricated body	Type 304 Stainless Steel	-
-C	Membrane clamp (includes anchor flange)	Type 304 Stainless Steel	-
-CF	Cross fabricated body	Type 304 Stainless Steel	-
-FL	Anchor (Waterproofing) flange	Type 304 Stainless Steel	-
-TEE	Tee fabricated body	Type 304 Stainless Steel	-

**NOTE:** Flow rate information per channel section is available on the [www.mifab.com](http://www.mifab.com) website

**NOTE:** Custom widths, depths, slopes and profiles available upon request. Contact MIFAB®.

**NOTE:** Type 316 S.S. product available. Contact MIFAB® for pricing.

CALIFORNIA PROPOSITION 65 WARNING. This product contains chemicals known to the State of California to cause cancer and birth defects or other reproductive harm.

Job Name: \_\_\_\_\_ Page No: \_\_\_\_\_  
 Section No: \_\_\_\_\_ Contractor: \_\_\_\_\_  
 Schedule No: \_\_\_\_\_ Purchase Order No: \_\_\_\_\_