

Location: _____

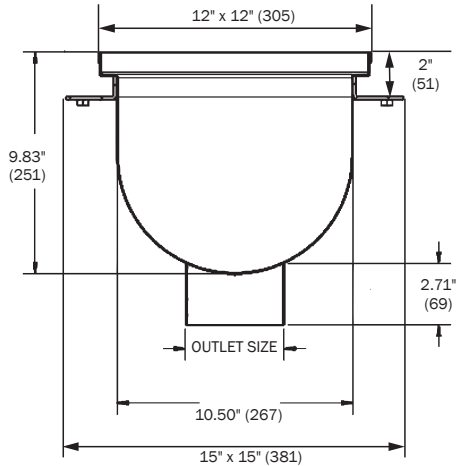


P4120-10D

12" x 12" x 10" STAINLESS STEEL FABRICATED FLOOR SINK

Specification: MIFAB® Series P4120-10D, 12" x 12" x 10" deep floor sink manufactured out of 16 gauge, Type 304 stainless steel with anchor flange, sediment bucket, and heavy duty stainless steel grate with bead blasted finish. Grate free area of 51 square inches. Bottom outlets are available in 3" or 4" no hub outlet connections and fabricated as part of the floor sink.

Function: Used in industrial, commercial, kitchen and other hygienic areas. Type 304 stainless steel construction provides for ease of cleaning, maintenance and sanitary installation. All grate openings are polished to a smooth finish.



ANSI A112.21.1M Point Drain Special
Duty Load Rated >10,000 Lbs.

MODEL NUMBER	DESCRIPTION
P4123-10D	12" x 12" x 10" Deep, Type 304 Stainless Steel Fabricated Floor Sink and Sediment Bucket, 16 Gauge body and heavy duty load rated grate with 3" No Hub outlet.
P4124-10D	12" x 12" x 10" Deep, Type 304 Stainless Steel Fabricated Floor Sink and Sediment Bucket, 16 Gauge body and heavy duty load rated grate with 4" No Hub outlet.
P4126-10D	12" x 12" x 10" Deep, Type 304 Stainless Steel Fabricated Floor Sink and Sediment Bucket, 16 Gauge body and heavy duty load rated grate with 6" No Hub outlet.

OPTIONAL VARIATIONS

- 6 Vandal Proof
- 7 1/2" Trap Seal Primer Connection
- 7MG MI-GARD Trap Seal Protection device (4" or 6")
- 150 1/2 Grate
- 175 3/4 Grate
- BW Butt weld outlet connection (2" or 3")
- C Membrane Clamp (includes anchor flange)
- F4 4" Round Type 304 Stainless Steel funnel
- G 4" Oval Type 304 Stainless Steel funnel
- T Threaded Outlet

**NOTE: Type 316 S.S. product available.
Contact MIFAB® for pricing.**

CALIFORNIA PROPOSITION 65 WARNING. This product contains chemicals known to the State of California to cause cancer and birth defects or other reproductive harm.

Job Name: _____ Page No: _____
 Section No: _____ Contractor: _____
 Schedule No: _____ Purchase Order No: _____