

Location: _____

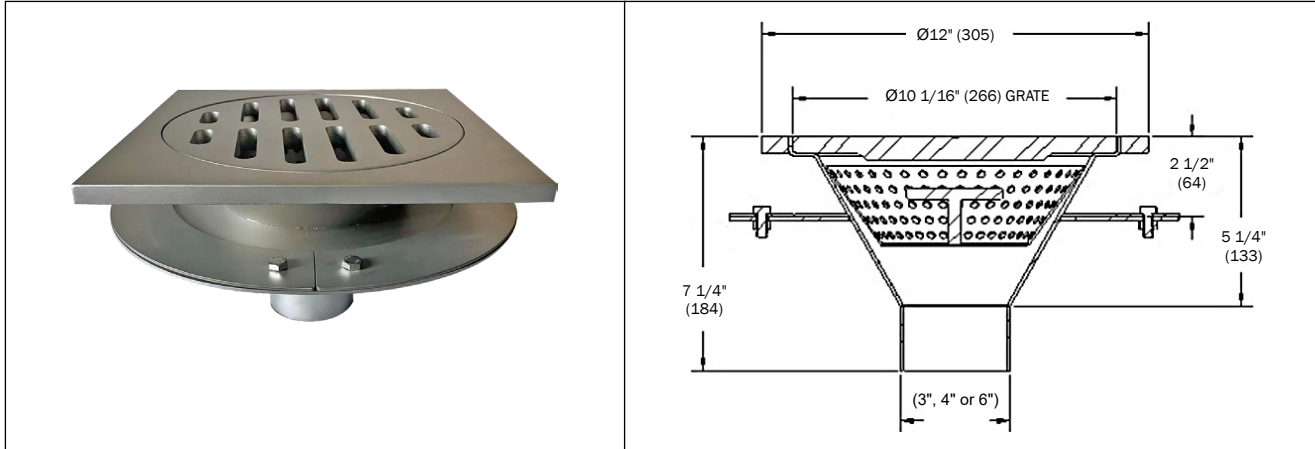


P3230-S

12" Square, 5 1/4" Deep, Type 316 Stainless Steel Fabricated, Funnel Drain

Specification: MIFAB® P3230-S, 12" square, 5 1/4" deep, 12 gauge Type 316 stainless steel area drain with funnel type body design without any inside seams or welds to eliminate hidden areas for bacteria growth. Standard with loose set special duty round slotted grate (1/2" thick plate) with finger holes, 9/16" thick top frame, and bead blasted finish and sediment bucket. The P3230-S meets the U.S. FDA Standards for corrosion resistance. Manufactured with either 3", 4" or 6" no hub outlet connections.

Function: Used in industrial, commercial, kitchen and other hygienic areas. Type 316 stainless steel construction provides for ease of cleaning, maintenance and sanitary installation. Heavy duty 12 gauge body construction and 1/2" thick grates are ideal for industrial / food processing applications. All grate openings are polished to a smooth finish. Funnel design ensures efficient drainage of waste water with no sharp edges to capture bacteria / debris.



Special duty solid cover with perimeter drain gap (-PD)
(Grate part # - P3220-PG-PD)



SCAN ME



Special duty round slotted grate with finger holes (-RS)
(Grate part # - P3220-PG-RS)

MODEL NUMBER	DESCRIPTION	WEIGHT Lbs.
P3233-S	12" Square, Type 316 stainless Steel Fabricated Funnel Drain, 12 Gauge Body, sediment bucket and special duty grate with 3" No Hub outlet.	30
P3234-S	12" Square, Type 316 stainless Steel Fabricated Funnel Drain, 12 Gauge Body, sediment bucket and special duty grate with 4" No Hub outlet.	30
P3236-S	6" No Hub Outlet	30

ANSI A112.21.1M Point Drain Special Duty Load Rated - Over 10,000 Lbs.

SUFFIX	OPTIONAL VARIATIONS
-6	Vandal Proof
-7	1/2" Trap Seal Primer connection
-7MG	MI-GARD Trap Seal Protection device (3", 4" or 6")
-150	1/2 Grate
-175	3/4 Grate
-BW	Butt weld outlet connection (3", 4" or 6")
-C	Membrane Clamp (includes anchor flange)
-NS	Anti-slip grate
-PD	1/2" thick, heavy duty solid cover with perimeter drain gap
-RS	1/2" thick, heavy duty, round slotted grate with finger holes
-T	Threaded outlet

CALIFORNIA PROPOSITION 65 WARNING. This product contains chemicals known to the State of California to cause cancer and birth defects or other reproductive harm.

Job Name: _____ Page No: _____
 Section No: _____ Contractor: _____
 Schedule No: _____ Purchase Order No: _____