

Location: _____

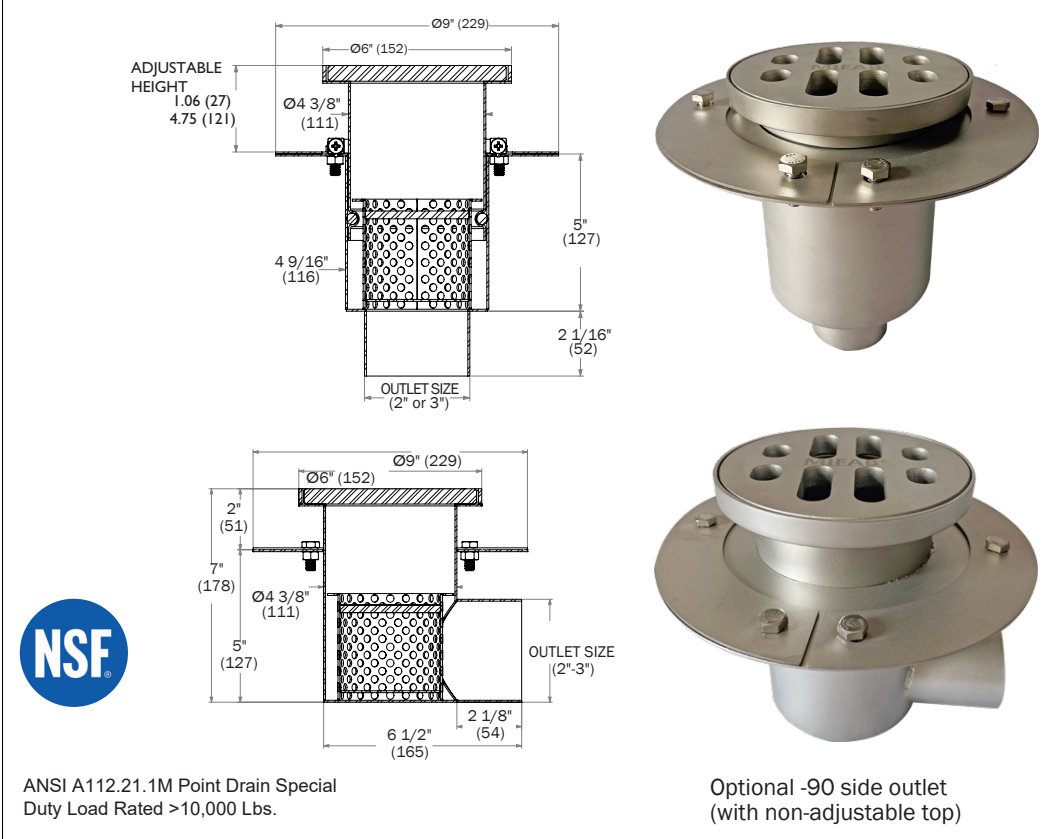


P3060

6" ROUND, ADJUSTABLE DEPTH, TYPE 316 STAINLESS STEEL FABRICATED FLOOR DRAIN

Specification: MIFAB® Series P3060, 6" round floor drain manufactured out of 16 gauge, Type 316 stainless steel with anchor flange and slotted special duty stainless steel grate with bead blasted finish and sediment bucket. Grate free area of 14 square inches. Bottom outlets are available in 2", 3" or 4" no hub outlet connections and fabricated as part of the floor drain.

Function: Used in industrial, commercial, kitchen and other hygienic areas. Type 316 stainless steel construction provides for ease of cleaning, maintenance and sanitary installation. All grate openings are polished to a smooth finish. Deep sump ideal for installations that require a sediment bucket to receive debris. Adjustable top assembly for easier installation.



GRATES



-RS
Special duty slotted grate with finger hole



-PD
Special duty solid cover with perimeter drain gap

Optional -90 side outlet
(with non-adjustable top)

MODEL NUMBER	DESCRIPTION
P3062	6" Round, Type 316 Stainless Steel Fabricated Floor Drain and Sediment Bucket, (16 Gauge Body and special duty grate with 2" No Hub outlet)
P3063	6" Round, Type 316 Stainless Steel Fabricated Floor Drain and Sediment Bucket, (16 Gauge Body and special duty grate with 3" No Hub outlet)
P3064	6" Round, Type 316 Stainless Steel Fabricated Floor Drain and Sediment Bucket, (16 Gauge Body and special duty grate with 4" No Hub outlet)

OPTIONAL VARIATIONS

- 6 Vandal Proof
- 7 1/2" Trap Seal Primer Connection
- 7MG MI-GARD Trap Seal Protection device (3" or 4")
- 150 1/2 Grate
- 175 3/4 Grate
- BW Butt weld outlet connection (3" or 4")
- C Membrane Clamp (includes anchor flange)
- NS Anti-slip grate
- PD 1/2" thick, heavy duty, solid cover with perimeter drain gap
- RS 1/2" thick heavy duty, round slotted grate with finger holes
- T Threaded Outlet

CALIFORNIA PROPOSITION 65 WARNING. This product contains chemicals known to the State of California to cause cancer and birth defects or other reproductive harm.

Job Name: _____
 Section No: _____
 Schedule No: _____

Page No: _____
 Contractor: _____
 Purchase Order No: _____