

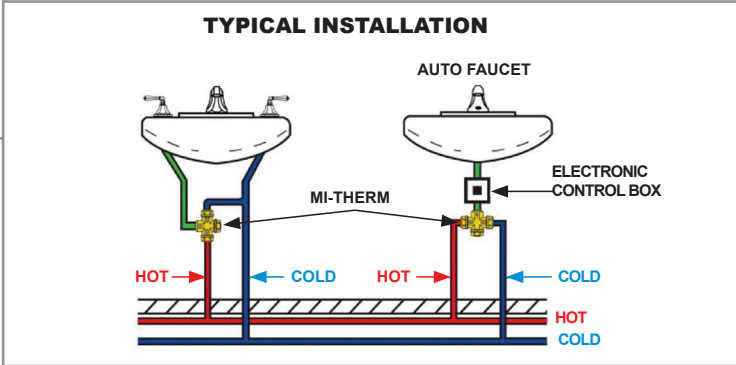
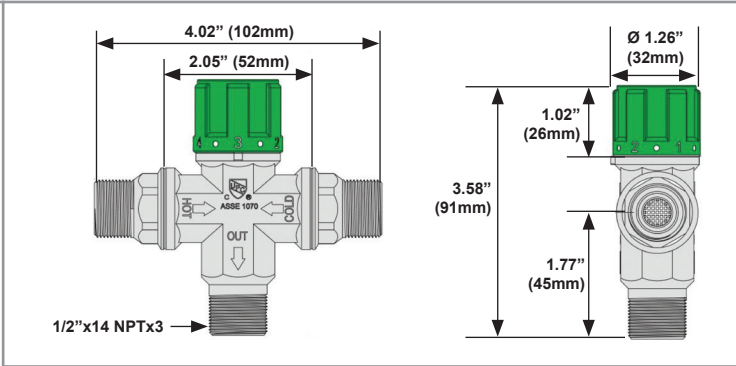
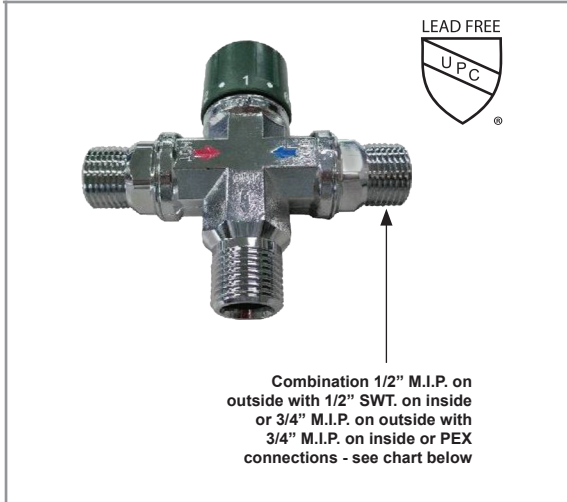
Location: _____



MI-THERM

THERMOSTATIC MIXING VALVE

Specification: The MIFAB® MI-THERM low lead thermostatic mixing valve is engineered to deliver mixed temperature water to single or multiple outlets. The valve accounts for any change in supply conditions to ensure that the outlet water temperature remains constant. The MI-THERM is tested and third party certified to the A.S.S.E. 1070 Standard and is listed with I.A.P.M.O.



MI-THERM				
MODEL NO.	DESCRIPTION	SHIPPING WT.	CARTON QTY.	CARTON WT.
MI-THERM.38	Thermostatic mixing valve, 3/8" M.I.P. conn. / and 3/8" SWT. conn.	1.00 lbs.	30	36 lbs.
MI-THERM.38-PEX	Thermostatic mixing valve, 3/8" PEX conn.	1.00 lbs.	30	36 lbs.
MI-THERM.50	Thermostatic mixing valve, 1/2" M.I.P. conn. / and 1/2" SWT. conn.	1.20 lbs.	30	36 lbs.
MI-THERM.50-PEX	Thermostatic mixing valve, 1/2" PEX conn.	1.20 lbs.	30	36 lbs.
MI-THERM.75	Thermostatic mixing valve, 3/4" M.I.P. conn. / and 3/4" SWT. conn.	1.20 lbs.	30	36 lbs.
MI-THERM.75-PEX	Thermostatic mixing valve, 3/4" PEX conn.	1.20 lbs.	30	36 lbs.

CALIFORNIA PROPOSITION 65 WARNING. This product contains chemicals known to the State of California to cause cancer and birth defects or other reproductive harm.

Job Name: _____ Page No: _____
 Section No: _____ Contractor: _____
 Schedule No: _____ Purchase Order No: _____