

Location: _____

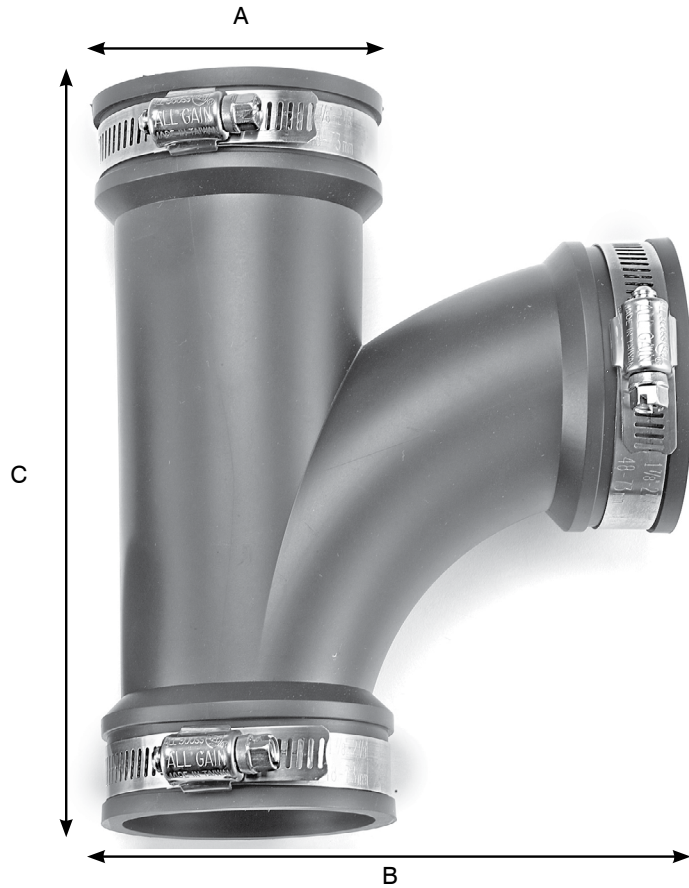
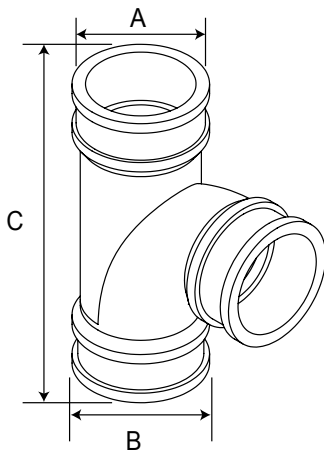
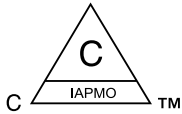


MI-TEE

TEES

Specification: MIFAB® Series MI-TEE (specify size) of flexible rubber elbow couplings are manufactured from a flexible PVC that meets the requirements of ASTM C-564 and Type 300 Series of stainless steel clamps tightened (to 60 lbs. torque) with 5/16" Type 300 stainless steel hex head screws. The MI-TEE Series of flexible tees are listed with I.A.P.M.O. Non constant temperature rating is 140 F. Tighten the bands alternatively until minimum 60 inch pounds torque is attained.

Function: MIFAB's MI-TEE Series of flexible rubber tees are used to connect common household drain, waste and vent pipes quickly. They are extra long to replace fittings cut out at the joint during a fix or alteration.



MODEL NUMBER	PIPE SIZE	A WIDTH	B WIDTH	C HEIGHT
MI-TEE-150	1 1/2" Tee	1.88" (48)	1.88" (48)	1.88" (48)
MI-TEE-200	2" Tee	2.31" (59)	2.31" (59)	2.31" (59)
MI-TEE-300	3" Tee	3.40" (86)	3.40" (86)	3.40" (86)
MI-TEE-400	4" Tee	4.52" (115)	4.52" (115)	4.52" (115)

CALIFORNIA PROPOSITION 65 WARNING. This product contains chemicals known to the State of California to cause cancer and birth defects or other reproductive harm.

Job Name: _____ Page No: _____
 Section No: _____ Contractor: _____
 Schedule No: _____ Purchase Order No: _____

MIFAB reserves the right to make changes in material and design without formal notice and obligation.

USA: 1-800-465-2736 www.mifab.com CAN: 1-800-387-3880

2022-07-10