

Location: _____

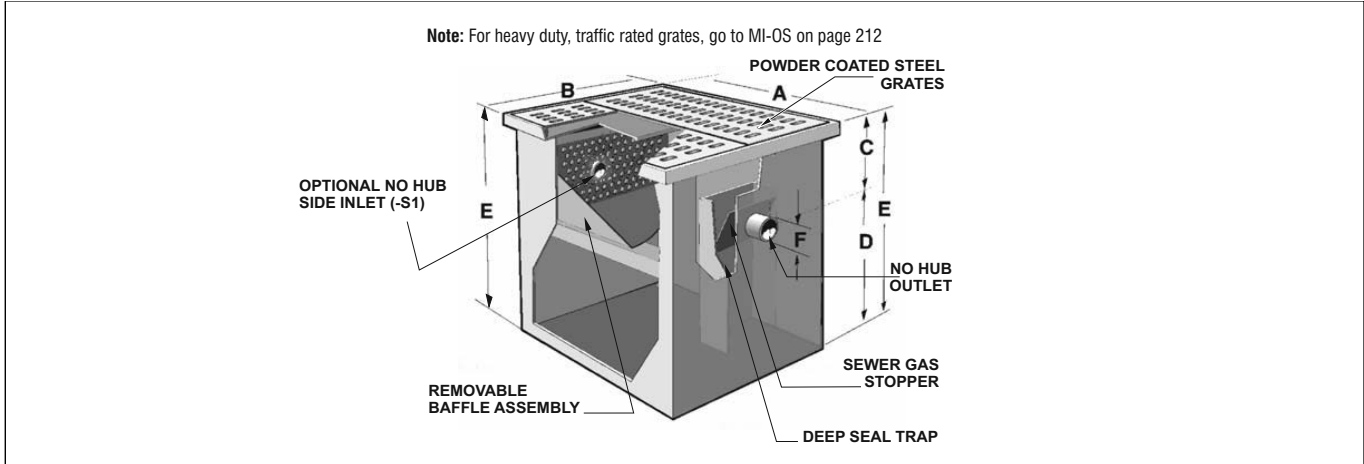


MI-SD

SEDIMENT DRAIN INTERCEPTOR

Specification: MIFAB® Series MI-SD____ sanitary epoxy coated inside and outside fabricated 10 gauge steel sand interceptor. Unit shall include: removable cross bar, four 3" (76) threaded vent connections, solid straining baffles, stainless steel calibrated orifice plate, securing bolt(s), sediment bucket with perforated baffle beside inlet, deep seal trap, sewer gas stopper, internal air relief by-pass, and steel powder epoxy coated non skid rectangular gasketed lid(s).

Function: Used in maintenance facilities to receive wastewater that contains sand and sediment. Sediment and debris is collected inside of the internal sediment bucket. The solid baffle system enhances the separation process as sand and sediment settle within each chamber during the flow of water through the interceptor. Regular maintenance is required to keep the interceptor functioning. Interceptor may be installed on the ground, semi recessed or flush with the floor. Sewer gas stopper prevents foul odors from entering the area through the interceptor.



MODEL NO.	US GPM	CAP. USG	STATIC CAP. USG	NO. OF GRATES	A IN	B IN	C IN	D IN	E IN	F IN	SHIPPING WEIGHT (LBS.)
MI-SD-1	3.50	12	3.50	1	12	12	4.5	10.5	15	2	64
MI-SD-2	6.50	23	6.50	1	16	20.75	7.5	12.5	20	3	116
MI-SD-3	22	77	22	1	20.5	27	7.625	17.625	25.25	3	185
MI-SD-4	30	105	30	1	20.5	27	10	23	33	3	215
MI-SD-5	55	193	55	2	24.375	24.5	10	22	32	3	225
MI-SD-6	100	350	100	4	48.625	24.5	10	22	32	3	420
MI-SD-7	140	438	140	6	48.625	30.5	11	27	38	4	515
MI-SD-8	214	665	214	9	60.50	36.5	11	27	38	4	760
MI-SD-9	330	910	330	9	72.625	36.5	11	27	38	4	855
MI-SD-10	374	1155	374	12	96.625	36.5	15	29	44	4	1135

NOTE: The "A" and "B" dimensions represent the largest dimension of the interceptor. Since the lid overhangs the body by 1/2" on all sides, deduct 1" from the stated dimensions in the charts above to determine the actual body length & width. **NOTE:** For solid cover, specify -SC This product a no hub inlet connection (same size as outlet) (No Add).

SUFFIX	OPTIONAL VARIATIONS
-AP	Anode pack
-BA	Minimum 51% material cost made in the USA
-C	Acid resistant powder epoxy coating

-FL	Anchor flange
-FLM	Anchor flange and membrane clamp
-HD	Heavy duty load rated lids
-SI	No hub side inlet

-SS	Stainless steel cover shroud
-T	F.I.P threaded female inlet and outlet
-TL	Lid(s) to receive tile or terrazzo
Specify	Special size inlet and outlet

CALIFORNIA PROPOSITION 65 WARNING. This product contains chemicals known to the State of California to cause cancer and birth defects or other reproductive harm.

Job Name: _____ Page No: _____
 Section No: _____ Contractor: _____
 Schedule No: _____ Purchase Order No: _____