

Location: _____



MI-SAD

MEDIUM SECURITY ACCESS DOOR

Specification: MIFAB® Series MI-SAD medium security access door is designed for drywall, masonry, or concrete construction, providing the security required in today's schools, hospitals, hotels, and correctional institutions. It has a unique light color finish.

Material: MI-SAD Series is 12 gauge steel door and 3/16" angle steel frame. The MI-SADSS Stainless Steel Series is 12 gauge #304 stainless steel door and 3/16" (4) angle stainless steel frame.

Finish: Satin coat steel doors have a primed finish. Stainless steel doors have a #4 brush satin finish.

Door: Flush to frame.

Frame: 3/16" (4) x 1 1/2" (38) x 1 1/2" (38) angle steel, angle welded with joints ground smooth. The frame has pre-punched 3/16" (4) mounting holes for easy installation.

Hinge: Two heavy duty butt hinges welded to the door and frame.

Latch: Standard - Cylinder key lock. All of MIFAB's cylinder key locks are keyed alike.

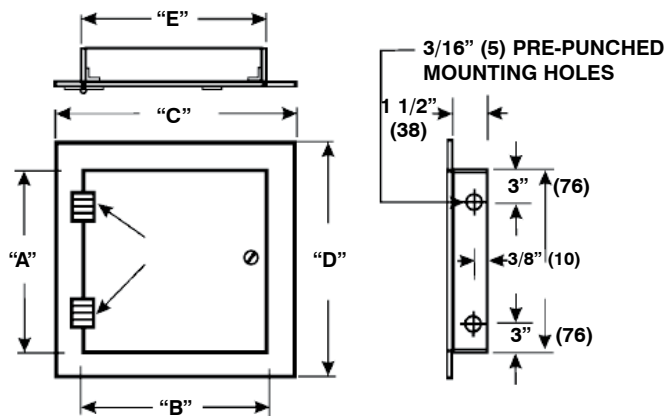
Packaging: Individual pack.



A-B Door Size

C-D Overall Dimensions - Door Size - Plus 3" (76)

E-F Wall Opening - Door Size - Plus 3/8" (10)



"B" x "A"	WALL OPENING	SHIP WEIGHT (Lbs.)	LATCHES	MILD STEEL MODEL #	STAINLESS STEEL MODEL #
8" x 8"	8-1/2" x 8-1/2"	10.0	1	MI-SAD0808	MI-SADSS0808
10" x 10"	10-1/2" x 10-1/2"	11.0	1	MI-SAD1010	MI-SADSS1010
12" x 12"	12-1/2" x 12-1/2"	17.0	1	MI-SAD1212	MI-SADSS1212
14" x 14"	14-1/2" x 14-1/2"	20.0	1	MI-SAD1414	MI-SADSS1414
16" x 16"	16-1/2" x 16-1/2"	24.0	1	MI-SAD1616	MI-SADSS1616
18" x 18"	18-1/2" x 18-1/2"	28.0	1	MI-SAD1818	MI-SADSS1818
18" x 24"	18-1/2" x 24-1/2"	34.0	1	MI-SAD1824	MI-SADSS1824
22" x 22"	22-1/2" x 22-1/2"	37.0	1	MI-SAD2222	MI-SADSS2222
24" x 24"	24-1/2" x 24-1/2"	41.0	1	MI-SAD2424	MI-SADSS2424
24" x 30"	24-1/2" x 30-1/2"	50.0	1	MI-SAD2430	MI-SADSS2430
24" x 36"	24-1/2" x 36-1/2"	56.0	2	MI-SAD2436	MI-SADSS2436
30" x 30"	30-1/2" x 30-1/2"	60.0	2	MI-SAD3030	MI-SADSS3030
36" x 36"	36-1/2" x 36-1/2"	75.0	2	MI-SAD3636	MI-SADSS3636

SUFFIX

OPTIONAL VARIATIONS

-BA

Minimum 51% material cost made in the USA

-PA

Pennsylvania Steel Act compliant product

(Dimension) Denotes Millimetres

NOTE: The hinge is always furnished on the "A" or height (longer) dimension, unless otherwise specified.

CALIFORNIA PROPOSITION 65 WARNING. This product contains chemicals known to the State of California to cause cancer and birth defects or other reproductive harm.

Job Name: _____

Page No: _____

Section No: _____

Contractor: _____

Schedule No: _____

Purchase Order No: _____