

Location: _____



MI-SADH

HIGH SECURITY ACCESS DOOR

Specification: MIFAB® Series MI-SADH high security access door is designed to provide security access, with a strength and durability to endure abusive and vandal-prone conditions, common in many institutions. It has a unique light color finish.

Material: MI-SADH Series is 10 gauge steel door and 1/4" angle steel frame. The MI-SADHSS Stainless Steel Series is 10 gauge #304 stainless steel door and 1/4" (6) angle stainless steel frame.

Finish: Steel doors have a primed finish. Stainless steel doors have a #4 brush satin finish.

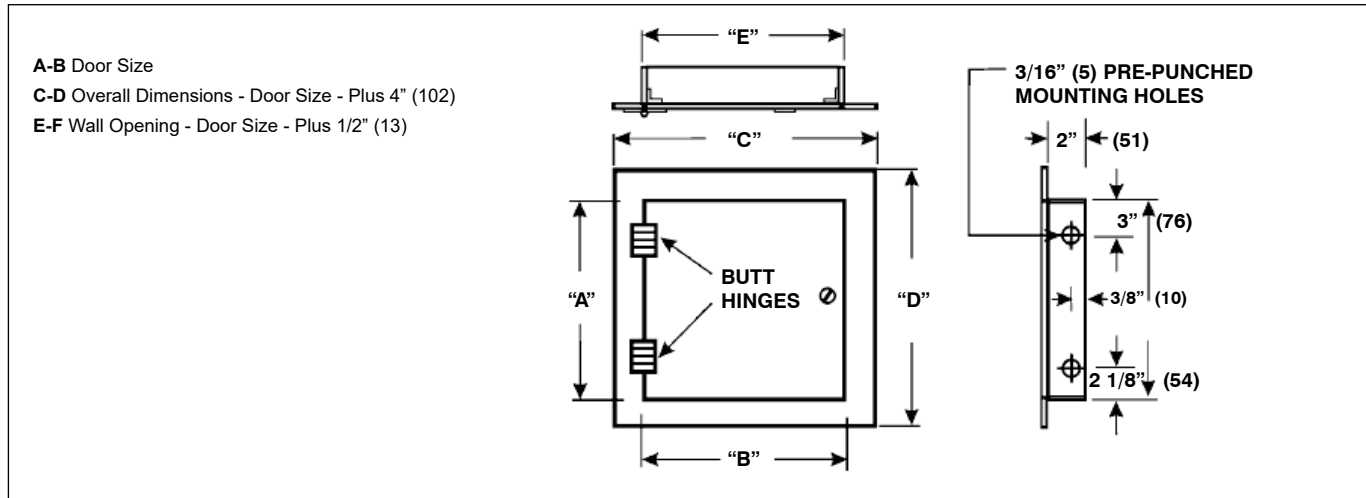
Door: Flush to frame.

Frame: 1/4" x 2" x 2" (6 x 50 x 50) angle steel, angle welded with joints ground smooth. The frame has pre-punched 1/4" (6) mounting holes for easy installation.

Hinge: Two heavy duty butt hinges welded to the door and frame.

Latch: Standard - Best Lock #1E7D4-C228-RP3-626 with key. Optional - locks provided by others.

Packaging: Individual pack.



"B" x "A"	WALL OPENING	SHIP WEIGHT (Lbs.)	LATCHES	MILD STEEL MODEL #	STAINLESS STEEL MODEL #
12" x 12"	12-1/2" x 12-1/2"	22.0	1	MI-SADH1212	MI-SADHSS1212
16" x 16"	16-1/2" x 16-1/2"	31.0	1	MI-SADH1616	MI-SADHSS1616
18" x 18"	18-1/2" x 18-1/2"	37.0	1	MI-SADH1818	MI-SADHSS1818
24" x 24"	24-1/2" x 24-1/2"	55.0	1	MI-SADH2424	MI-SADHSS2424
24" x 36"	24-1/2" x 36-1/2"	73.0	2	MI-SADH2436	MI-SADHSS2436
24" x 48"	24-1/2" x 48-1/2"	88.0	2	MI-SADH2448	MI-SADHSS2448
36" x 36"	36-1/2" x 36-1/2"	97.0	2	MI-SADH3636	MI-SADHSS3636
36" x 48"	36-1/2" x 48-1/2"	120.0	2	MI-SADH3648	MI-SADHSS3648

SUFFIX	OPTIONAL VARIATIONS
-BA	Minimum 51% material cost made in the USA
-PA	Pennsylvania Steel Act compliant product

(Dimension) Denotes Millimetres

NOTE: The hinge is always furnished on the "A" or height (longer) dimension, unless otherwise specified.

CALIFORNIA PROPOSITION 65 WARNING. This product contains chemicals known to the State of California to cause cancer and birth defects or other reproductive harm.

Job Name: _____ Page No: _____
 Section No: _____ Contractor: _____
 Schedule No: _____ Purchase Order No: _____