

Location: \_\_\_\_\_

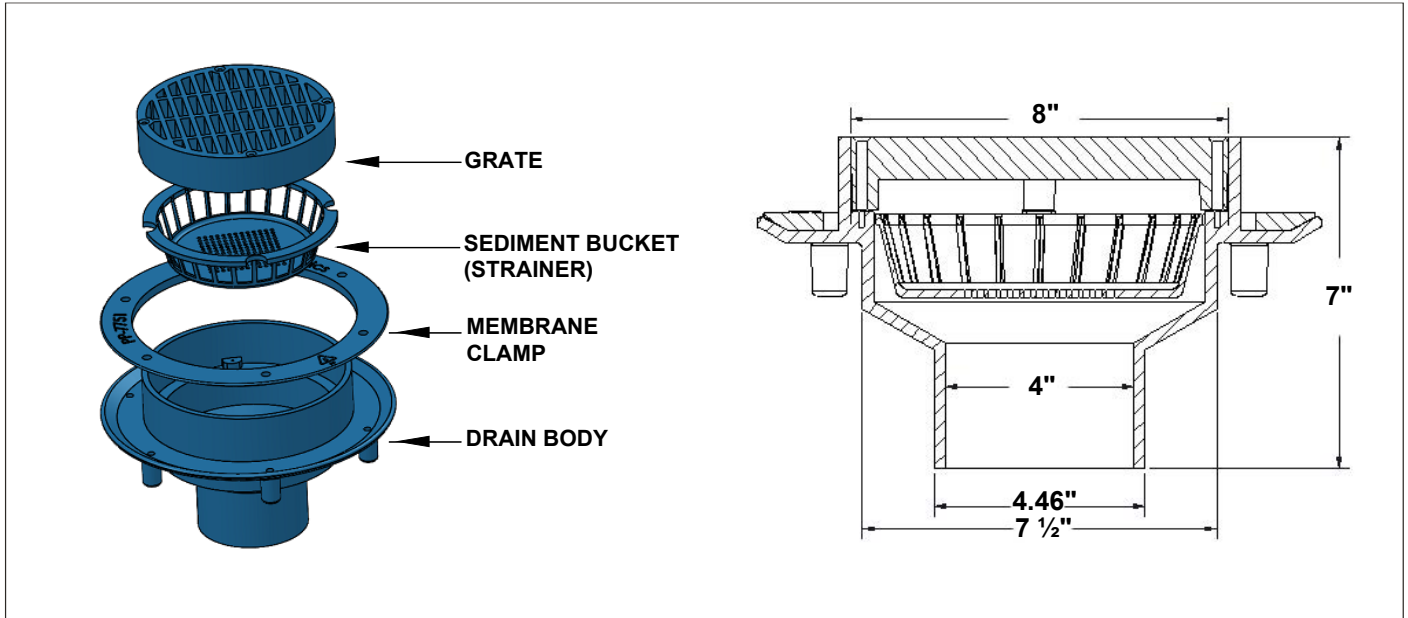


# MI-PP-7751

## ACID RESISTANT POLYPROPYLENE FLOOR DRAIN

**Specification:** MIFAB® MI-PP-7751 floor drain manufactured out of flame retardant polypropylene body with bottom outlet, polypropylene membrane clamp, sediment bucket and heavy duty load rated (5,000 lb.- 7,499 lbs.) 8" diameter slotted grate.

**Function:** Used in laboratories, pharmaceutical and other facilities that have corrosive elements in the wastewater. The polypropylene material used in the construction of this drain is ideal to withstand this type of wastewater.



<b>Model No.</b>
<b>MI-PP-7751</b>

CALIFORNIA PROPOSITION 65 WARNING. This product contains chemicals known to the State of California to cause cancer and birth defects or other reproductive harm.

Job Name: _____	Page No: _____
Section No: _____	Contractor: _____
Schedule No: _____	Purchase Order No: _____