

Location: _____



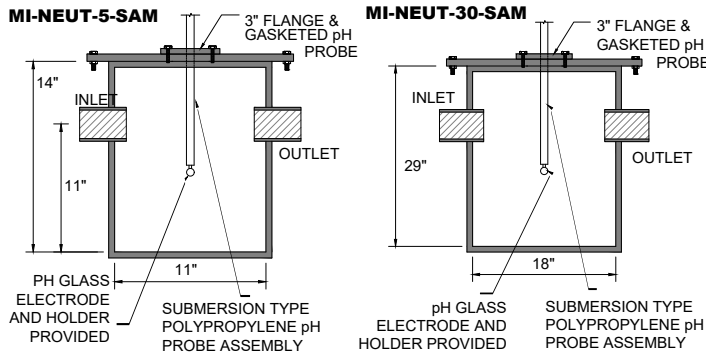
MI-NEUT-SAM

ACID NEUTRALIZATION SAMPLING TANK

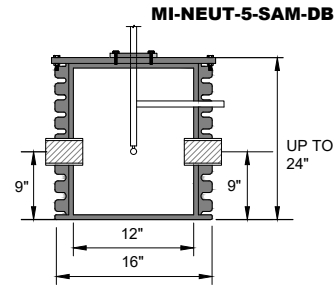
Specification: MIFAB® MI-NEUT-SAM (specify -5 or -30) acid neutralization sampling tank manufactured from seamlessly molded high density polyethylene with inlet and outlet, pH glass electrode and submersible probe assembly and pedestrian load rated lid.

Function: Used in laboratories, industrial facilities and other locations in line with an acid neutralization tank. It is typically connected to the acid neutralization tank outlet and provides a place to inspect the decontaminated/neutralized water prior to discharge. The -DB models can be direct buried.

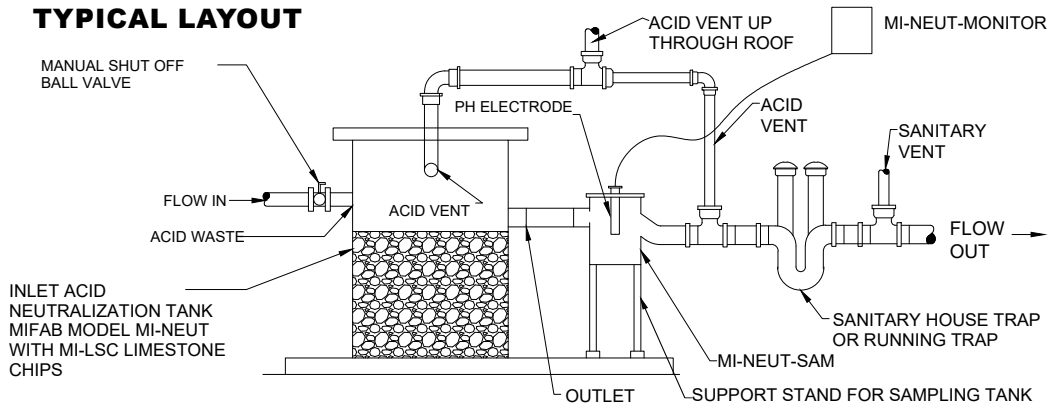
ABOVE GROUND SAMPLING TANK OPTIONS



DIRECT BURIAL SAMPLING TANK



TYPICAL LAYOUT



MODEL NO.	GALLON CAPACITY	INTERNAL DIMENSIONS (In.) (A X B)	WALL THICKNESS (In.)	INLET / OUTLET CONNECTION SIZES (In.) (E)	STANDARD FITTING CONNECTIONS	STANDARD FITTING CONNECTIONS	
						INLET (C)	OUTLET (D)
MI-NEUT-5-SAM	5	11" x 14"	3/16"	2"	PLAIN END	9"	9"
MI-NEUT-30-SAM	30	18" x 29"	3/16"	4"	PLAIN END	19"	19"
MI-NEUT-5-SAM-DB	5	12" x 24"	DW	4"	PLAIN END	19"	19"

CALIFORNIA PROPOSITION 65 WARNING. This product contains chemicals known to the State of California to cause cancer and birth defects or other reproductive harm.

Job Name: _____
 Section No: _____
 Schedule No: _____

Page No: _____
 Contractor: _____
 Purchase Order No: _____