

Location: _____



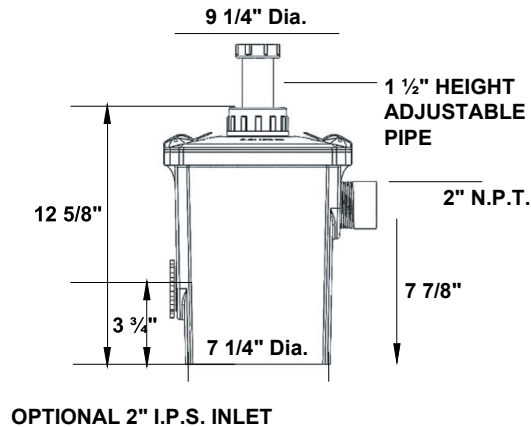
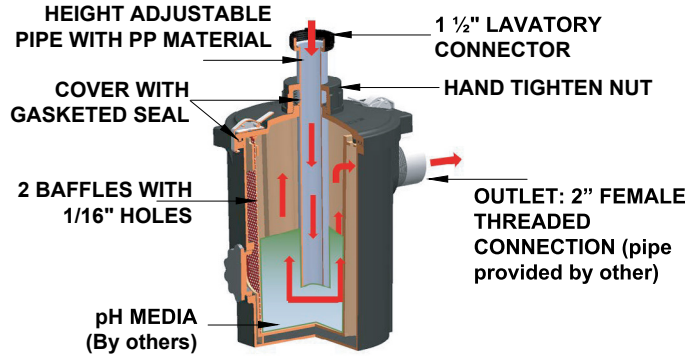
MI-NEUT-P

ACID NEUTRALIZATION TANKS

Specification: MI-NEUT-P to be manufactured out of Heavy-Duty HDPE material with inside media bucket, adjustable 1 1/2" FPT Inlet with adjustable Polypropylene Tailpiece, 2 baffles and 2" FPT outlet. Cartridge will have 1.5 gallons liquid capacity. Unit to have 1.5 gallons of usable capacity and be capable of handling up to 8 gpm.

Function: Under Sink Installation with adjustable tailpiece to thread directly to sink strainer. Each system is capable of handling up to 8gpm. HDPE Molded Heavy Duty Body with 1.5 gallons liquid capacity. Option for use as Under Sink Solids Interceptor with Existing Side Inlet.

POINT OF USE: UNDER SINK NEUTRALIZATION TANKS



Model	
MI-NEUT-P	

SUFFIX	OPTIONAL VARIATIONS	PART NO.
-2NH	2" no hub coupling for plain end pipe connections	Contact MIFAB
-E	2" - 1 1/2" reducer	Contact MIFAB
-LSC	Limestone media	MI-LSC

CALIFORNIA PROPOSITION 65 WARNING. This product contains chemicals known to the State of California to cause cancer and birth defects or other reproductive harm.

Job Name: _____ Page No: _____
 Section No: _____ Contractor: _____
 Schedule No: _____ Purchase Order No: _____