

Location: _____

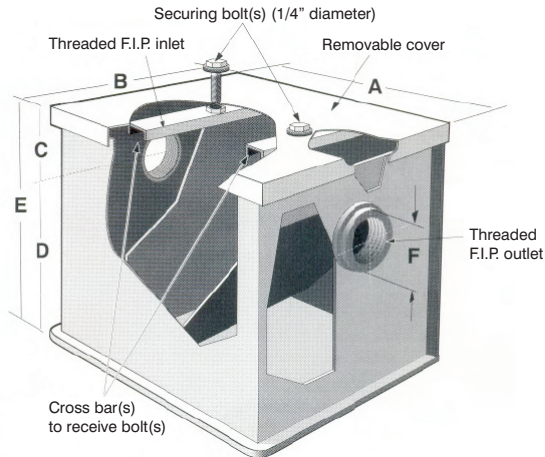


MI-GO

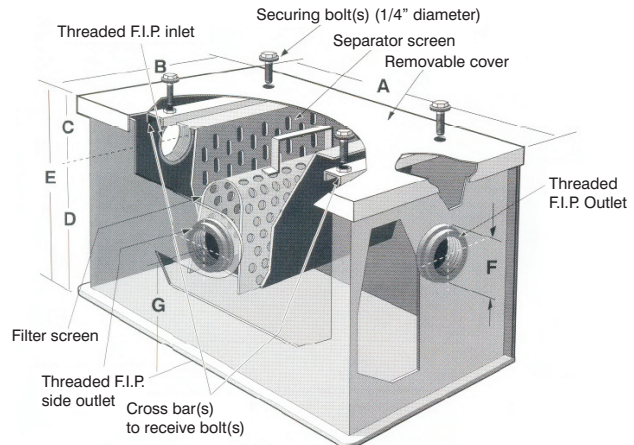
ECONOMY GREASE INTERCEPTOR

Specification: MIFAB® Series MI-GO ____ (specify model) sanitary powder epoxy coated inside and outside fabricated 14 gauge steel grease interceptor with flow rating of ____ (indicate) and grease holding capacity of ____ (indicate). Unit shall include: removable separator screen, cross bars, securing bolts and steel powder epoxy coated, gasketed lid.

Function: Used in restaurants, kitchens, and other types of food processing areas where fat, oil and grease (FOG) drains with the wastewater. Interceptor must be installed on the ground.



MI-GO-1



MI-GO-2, MI-GO-3, MI-GO-4

MIFAB #	ROCKFORD	HICO	US GPM	CAP LBS.	OVERALL DIMENSIONS					
					A	B	C	D	F	E
MI-GO-1	NO ALT.	NO ALT.	8	12	11 1/2"	8 3/4"	3 3/4"	6 1/2"	2" F.I.P.	10 1/4"
MI-GO-2	G-1012	3630	8	12	11 1/2"	8 3/4"	4 1/4"	6"	2" F.I.P.	10 1/4"
MI-GO-3	G-1815	3631	16	60	18 7/8"	10 3/4"	4 1/2"	11"	2" F.I.P.	15 1/2"
MI-GO-4	G-1820	3632	20	70	20 3/4"	14 3/4"	6"	12"	2" F.I.P.	16"
MI-GO-1-PL	NO. ALT.	NO. ALT.	8	12	11 1/2"	8 3/4"	3 3/4"	6 1/2"	2" F.I.P.	10 1/4"

CALIFORNIA PROPOSITION 65 WARNING. This product contains chemicals known to the State of California to cause cancer and birth defects or other reproductive harm.

Job Name: _____ Page No: _____
 Section No: _____ Contractor: _____
 Schedule No: _____ Purchase Order No: _____

MIFAB® reserves the right to make changes in material and design without formal notice and obligation.

USA: 1-800-465-2736 www.mifab.com CAN: 1-800-387-3880

2022-03-15