

Location: _____

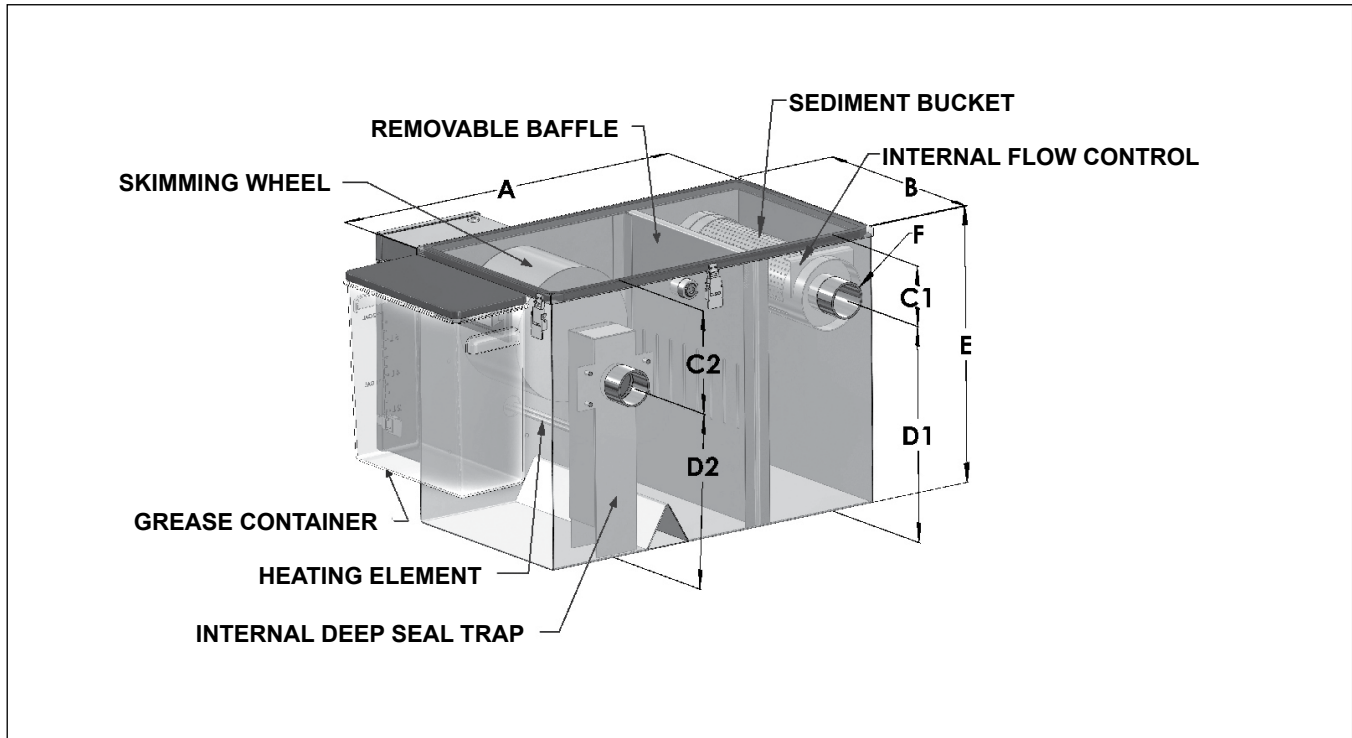


MI-G-AD

AUTOMATIC RECOVERY GREASE INTERCEPTOR

Specification: The MI-G-AD Series is an automatic recovery grease interceptor that is self cleaning and requires minimal maintenance. The unit intercepts solids with an internal sediment bucket and extracts free floating oil and grease from the unit automatically into a separate holding compartment. The MI-G-AD Series should be used in large restaurants, kitchens, institutions, industrial facilities such as food processing and packaging plants where fats, oil and grease (FOG) drains into the wastewater.

The MI-G-AD includes a stainless steel body a deep seal trap with sewer gas stopper, air relief bypass, dual lid for easy access to the internal sediment bucket, grease and oil collection container, 24 hour timer with heating element and automatic skimming wheel.



MODEL NUMBER	US GPM	GREASE CAP. LBS.	A IN	B IN	C1 IN	C2 IN	D1 IN	D2 IN	E IN	F IN
MI-G-AD-3	15	30	24.5"	14"	4"	9"	9.5"	4.5"	13.5"	2"
MI-G-AD-4	20	40	24.5"	14"	4"	7.5"	9.5"	6"	13.5"	2"
MI-G-AD-5	25	50	26"	14"	4"	9"	12.5"	7.5"	16.5"	2"
MI-G-AD-6	35	70	34.5"	16"	4"	8"	12.5"	8.5"	16.5"	3"
MI-G-AD-7	50	100	39.5"	16"	5"	8.5"	12.5"	9"	17.5"	3"
MI-G-AD-8	75	150	43.5"	16"	5"	9"	16.5"	12.5"	21.5"	4"
MI-G-AD-9	100	200	60"	21"	4.5"	9"	20"	15.5"	24.5"	4"

Note: Add 8" (203) to the "A" dimension to obtain the overall length of the interceptor (which allows for draw-off valve and connections).

CALIFORNIA PROPOSITION 65 WARNING. This product contains chemicals known to the State of California to cause cancer and birth defects or other reproductive harm.

Job Name: _____ Page No: _____
 Section No: _____ Contractor: _____
 Schedule No: _____ Purchase Order No: _____