

Location: \_\_\_\_\_



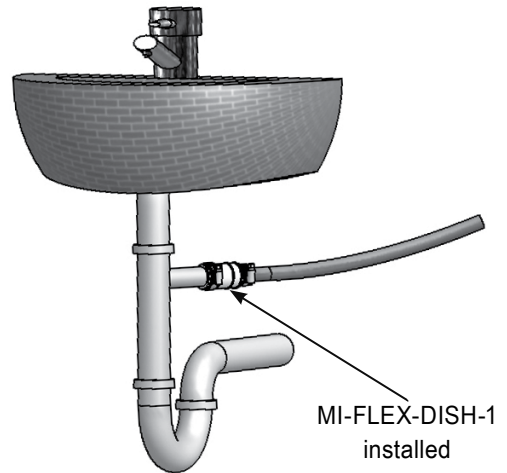
# MI-FLEX-DISH

# DISHWASHER CONNECTOR

**Specification:** MIFAB® MI-FLEX-DISH-1 dishwasher connector is manufactured out of a flexible PVC compound that meets the requirements of ASTM C-564. Two Type 300 stainless steel clamps tightened with 5/16" Type 300 stainless steel hex head screws provide the sealing force.

**Function:** MIFAB's MI-FLEX-DISH-1 dishwasher connector is used to connect a dishwasher hose to a sink drain or garbage disposer.

**Note:** For couplings with two bands, tighten 1-2 alternately until minimum 60 inch lbs. of torque is attained for each band. Tested to maintain 4.3 p.s.i. maximum line pressure (10' head pressure) 5/16" driver required to tighten bolts.



(Typical Installation underneath a sink)

MODEL NUMBER	PIPE SIZE	A WIDTH	B WIDTH	C HEIGHT
MI-FLEX-DISH-1	.75" or 1" x 1"	.64"	.92"	2.70"

CALIFORNIA PROPOSITION 65 WARNING. This product contains chemicals known to the State of California to cause cancer and birth defects or other reproductive harm.

Job Name: \_\_\_\_\_ Page No: \_\_\_\_\_  
 Section No: \_\_\_\_\_ Contractor: \_\_\_\_\_  
 Schedule No: \_\_\_\_\_ Purchase Order No: \_\_\_\_\_