

Location: _____



MI-FLEX-CON

FLEXIBLE COUPLINGS- PLASTIC SOCKET TO PL / CI

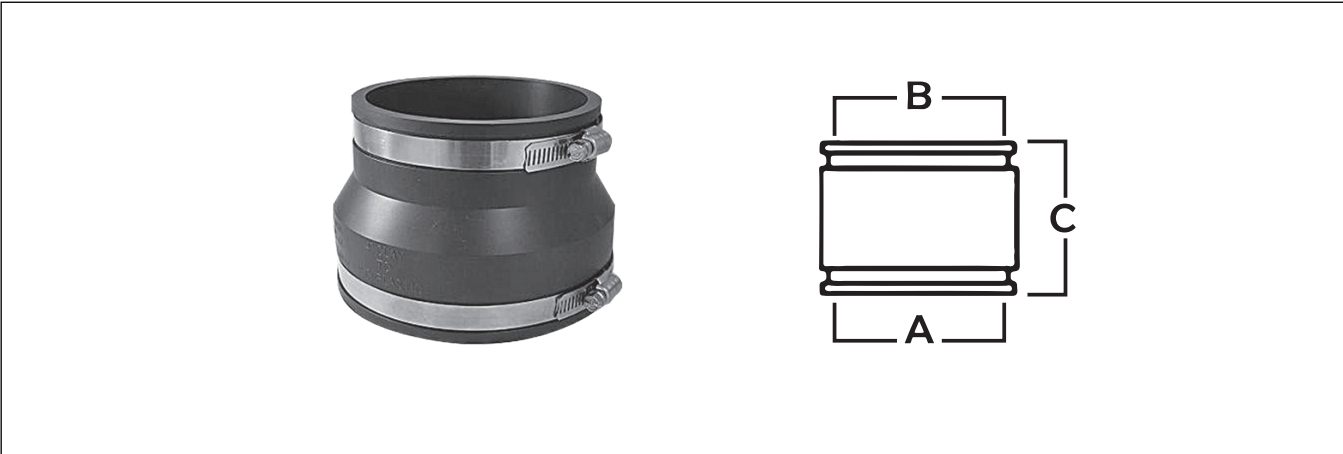


Specification: MIFAB® Series MI-FLEX-CON (specify size) of flexible rubber couplings are manufactured from neoprene compound that meets the requirements of ASTM C564 and stainless steel clamps tightened with 5/16" Type 300 stainless steel hex head screws. MI-FLEX Series of flexible couplings are tested and certified to ASTM Standard C1173 and CSA Standard B602 and listed with IAPMO.

Function: MI-FLEX-CON Series of flexible rubber couplings are used to connect asbestos cement or Ductile Iron pipe to Cast Iron or Schedule 40 Plastic pipe. For couplings with two bands, tighten 1-2, alternately until minimum 60 inch lbs. of torque is attained for each band. Tested to maintain 4.3 p.s.i. maximum line pressure (10' head pressure). Conforms to ASTM Standard #C1173. Non constant temperature rating is 140 degrees F. Stainless Steel Clamp and 5/16" hex head bolt are made from Type 300 Stainless Steel. For non-pressure, gravity flow applications only. Underground installations.

Material Specifications:

- Bands** – Type 300 AISI stainless steel (Minimum tensile 165,000 psi).
- Gasket** – Elastomeric compound that meets the requirements of ASTM C564.
- Screw Housing** – Type 300 AISI stainless steel.
- Screw** – Type 300 AISI stainless steel, 5/16" Hex head / Shoulder.



MODEL NUMBER	PIPE SIZE	A		B		C HEIGHT
		MIN	MAX	MIN	MAX	
MI-FLEX-CON-44	4" AC/DI x 4" C.I./PL	4.80" (122)	5.52" (140)	4.40" (112)	5.13" (130)	4" (102)

CALIFORNIA PROPOSITION 65 WARNING. This product contains chemicals known to the State of California to cause cancer and birth defects or other reproductive harm.

Job Name: _____ Page No: _____
 Section No: _____ Contractor: _____
 Schedule No: _____ Purchase Order No: _____