

Location: _____



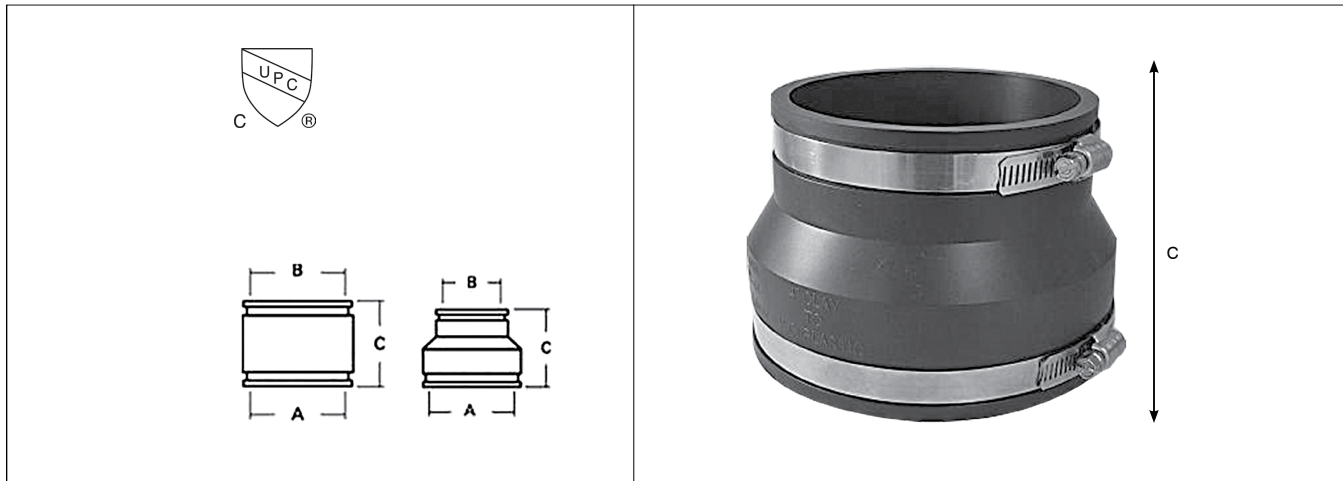
MI-FLEX-CL

FLEXIBLE COUPLINGS - CLAY TO CAST IRON OR PLASTIC



Specification: MIFAB® Series MI-FLEX-CL (specify size) of flexible rubber couplings are manufactured from neoprene compound that meets the requirements of ASTM C564 and 300 Series of stainless steel clamps tightened with 5/16" Type 300 stainless steel hex head screws. The MI-FLEX-CL Series of flexible couplings are tested and certified to ASTM Standard C1173 and CSA Standard B602 and listed with IAPMO. All models and listed to the National Plumbing Code of Canada and relevant Canadian Standard(s) and bear the cUPC mark of conformity.

Function: MIFAB's MI-FLEX-CL Series of flexible rubber couplings are used to connect clay pipe to cast iron or plastic pipe. For couplings with two bands, tighten 1-2, alternately until minimum 60 inch lbs. of torque is attained for each band. Tested to maintain 4.3 p.s.i. maximum line pressure (10' head pressure) Tested and Certified to ASTM Standard #C1173. All models are listed with I.A.P.M.O. (U.P.C.) 5/16" driver required to tighten bolts. All models are listed to the National Plumbing Code of Canada and relevant Canadian Standard(s) and bear the cUPC mark of conformity. All models are manufactured in compliance with ASTM #C1173 and CSA B602 Standards. Non constant temperature rating is 140 F. Stainless Steel Clamps & 5/16" hex head bolts are made from Type 300 Stainless Steel.



| MODEL NUMBER | PIPE SIZE | A | | B | | C HEIGHT |
|-----------------|--|--------------|--------------|-------------|--------------|--------------|
| | | MIN | MAX | MIN | MAX | |
| MI-FLEX-CL-400 | 4" Clay x 4" CI / PL Flexible coupling | 4.75" (121) | 5.38" (137) | 4" (102) | 4.63" (118) | 4" (102) |
| MI-FLEX-CL-500 | 5" Clay x 5" CI / PL Flexible coupling | 5.61" (142) | 6.20" (157) | 5.15" (131) | 5.65" (144) | 5" (127) |
| MI-FLEX-CL-640 | 6" Clay x 4" CI / PL Flexible coupling | 7" (178) | 7.56" (192) | 3.87" (98) | 4.41" (112) | 5 1/2" (140) |
| MI-FLEX-CL-600 | 6" Clay x 6" CI / PL Flexible coupling | 7.05" (179) | 7.56" (192) | 6.15" (156) | 6.69" (170) | 6" (152) |
| MI-FLEX-CL-860 | 8" Clay x 6" CI / PL Flexible coupling | 8.80" (224) | 9.43" (240) | 5.90" (150) | 6.31" (160) | 6" (152) |
| MI-FLEX-CL-800 | 8" Clay x 8" CI / PL Flexible coupling | 9.10" (231) | 9.90" (251) | 7.87" (200) | 8.75" (222) | 6" (152) |
| MI-FLEX-CL-1000 | 10" Clay x 10" CI / PL Flexible coupling | 11.75" (298) | 12.70" (323) | 9.75" (248) | 10.75" (273) | 5.75" (146) |

CALIFORNIA PROPOSITION 65 WARNING. This product contains chemicals known to the State of California to cause cancer and birth defects or other reproductive harm.

Job Name: _____

Page No: _____

Section No: _____

Contractor: _____

Schedule No: _____

Purchase Order No: _____