

Location: _____

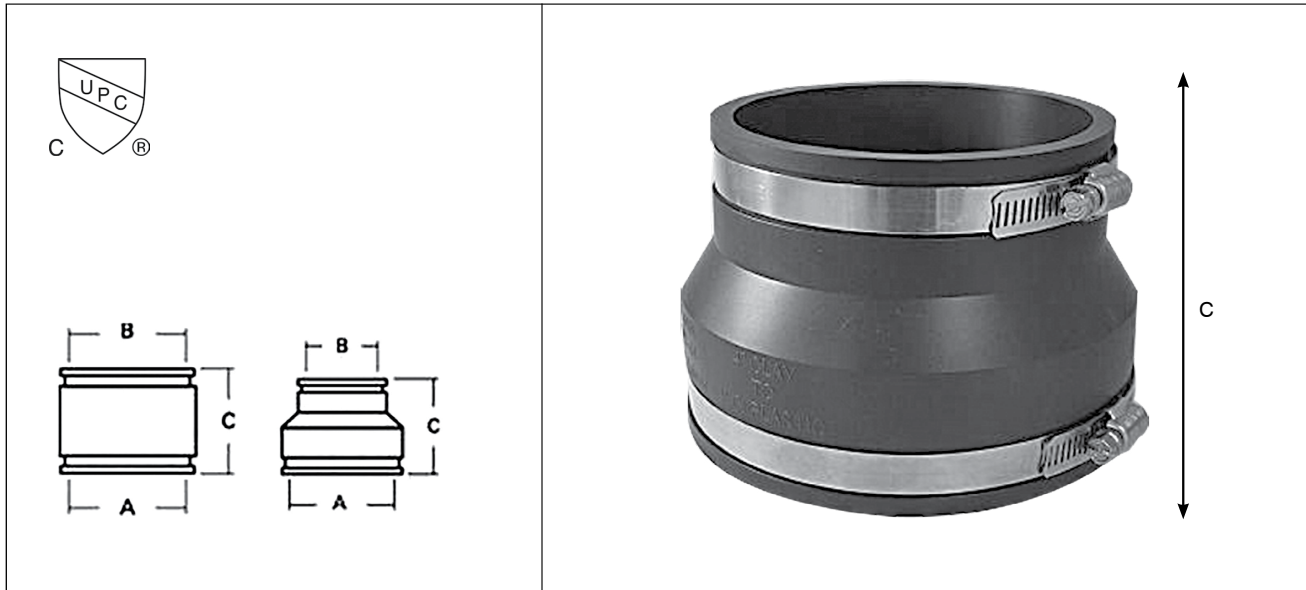


MI-FLEX-CC

**FLEXIBLE COUPLINGS –
CONCRETE TO CI OR PLASTIC**

Specification: MIFAB® Series MI-FLEX-CC (specify size) of flexible rubber couplings are manufactured from an elastomeric compound that meets the requirements of ASTM C564 and 300 Series of stainless steel clamps tightened with 5/16" Type 300 stainless steel hex head screws. The MI-FLEX-CC Series of flexible couplings are tested and certified to ASTM Standard C1173 and CSA Standard B602 and listed with IAPMO. All models are listed to the National Plumbing Code of Canada and relevant Canadian Standard(s) and bear the cUPC mark of conformity.

Function: MIFAB® MI-FLEX-CC Series of flexible rubber couplings are used to connect concrete pipe to cast iron or plastic pipe. For couplings with two bands, tighten 1-2, alternately until minimum 60 inch lbs. of torque is attained for each band. Tested to maintain 4.3 p.s.i. maximum line pressure (10' head pressure). Tested and Certified to ASTM Standard #C1173. All models are listed with I.A.P.M.O. (U.P.C.). 5/16" driver required to tighten bolts. All models are listed to the National Plumbing Code of Canada and relevant Canadian Standard(s) and bear the cUPC mark of conformity. All models are manufactured in compliance with ASTM #C1173. Non constant temperature rating is 140 F. Stainless Steel Clamps and 5/16" hex head bolts are made from Type 300 Stainless Steel.



MODEL NUMBER	PIPE SIZE	A		B		C HEIGHT	CARTON QUANTITY	PALLET QUANTITY
		MIN	MAX	MIN	MAX			
MI-FLEX-CC-400	4" Concrete x 4" CI /PL coupling	5.56" (141)	6.27" (159)	4.30" (109)	5.02" (128)	3.95" (100)	60	1,200
MI-FLEX-CC-600	6" Concrete x 6" CI /PL coupling	7.78" (197)	8.49" (215)	6.38" (162)	7.10" (180)	5.81" (148)	20	400
MI-FLEX-CC-640	6" Concrete x 4" CI /PL coupling	7.75" (197)	8.55" (217)	4.31" (109)	5.10" (130)	5.91" (150)	20	500

CALIFORNIA PROPOSITION 65 WARNING. This product contains chemicals known to the State of California to cause cancer and birth defects or other reproductive harm.

Job Name: _____ Page No: _____
 Section No: _____ Contractor: _____
 Schedule No: _____ Purchase Order No: _____