

Location: _____



MI-EC-HB

END CAP WITH HOSE BIBB

Specification: MIFAB® Series flexible rubber end caps with hose bibb are used to cap pipe ends, cleanouts and open pipes. They are suitable for above ground or underground use on cast iron, steel, PVC or ABS pipes. 5/16" driver required to tighten bolts to 60 lbs. torque. All models are manufactured in compliance with IAPMO PS 90-06 and CSA B602. Non constant temperature rating is 140 F. Stainless Steel Clamp and 5/16" hex head bolt are made from Type 300 Stainless Steel. Tighten the band until minimum 60 inch pounds torque is attained.

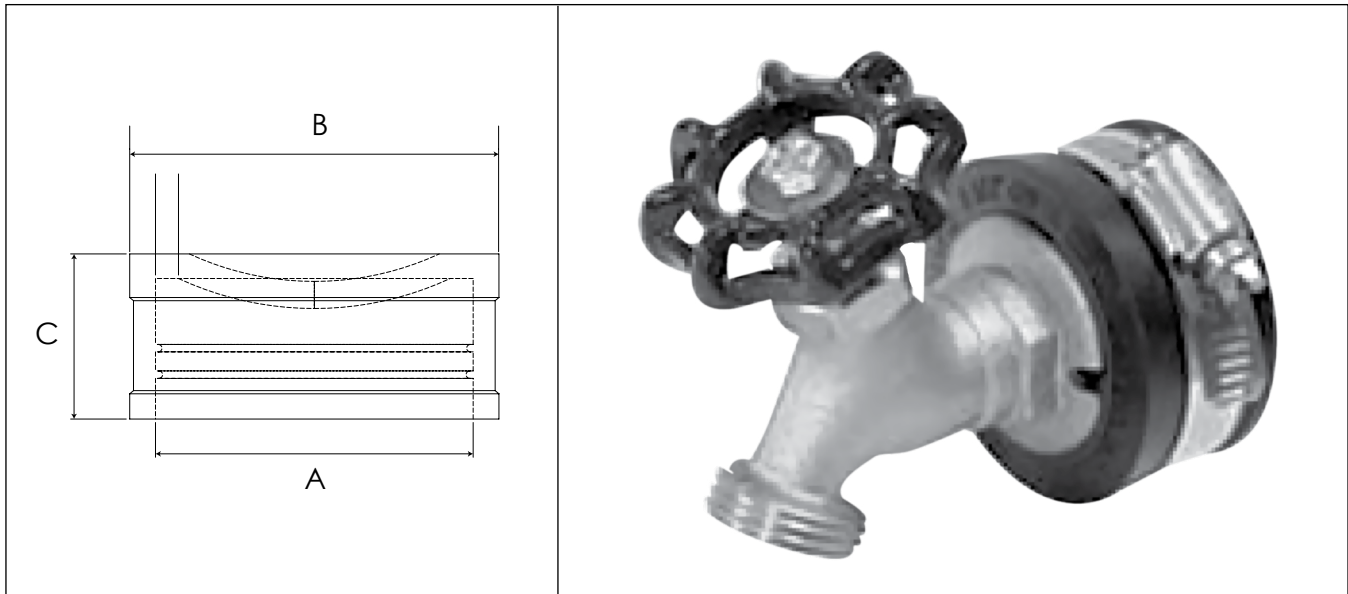
Function: Used to cap pipe ends, cleanouts and open pipes. They are suitable for above ground or underground use on cast iron, steel, PVC or ABS pipes. Hose bibb provides a water supply.

Material Specifications:

- Bands – Type 300 AISI stainless steel (Minimum tensile 165,000 psi).
- Gasket – Elastomeric compound that meets the requirements of ASTM C564.
- Screw Housing – Type 300 AISI stainless steel.
- Screw – Type 300 AISI stainless steel, 5/16" Hex head / Shoulder.

Performance Specifications:

- Tested to maintain 4.3 psi of water pressure (typical 10' head).
- Requires a 5/16" hex head driver to tighten screw head to a minimum of 60 pounds.



MODEL NUMBER	PIPE SIZE	A WIDTH	B WIDTH	C HEIGHT
MI-EC-150-HB	1 1/2"	1.61" (41)	1.95" (50)	1.15" (29)
MI-EC-200-HB	2"	1.94" (49)	2.48" (63)	1.25" (32)
MI-EC-300-HB	3"	3.09" (79)	3.63" (92)	1.39" (35)
MI-EC-400-HB	4"	3.96" (101)	4.60" (117)	1.65" (42)
MI-EC-500-HB	5"	5.03" (128)	5.85" (149)	2.09" (53)
MI-EC-600-HB	6"	5.73" (146)	6.62" (168)	2.20" (56)

CALIFORNIA PROPOSITION 65 WARNING. This product contains chemicals known to the State of California to cause cancer and birth defects or other reproductive harm.

Job Name: _____ Page No: _____
 Section No: _____ Contractor: _____
 Schedule No: _____ Purchase Order No: _____

MIFAB reserves the right to make changes in material and design without formal notice and obligation.

USA: 1-800-465-2736 www.mifab.com CAN: 1-800-387-3880