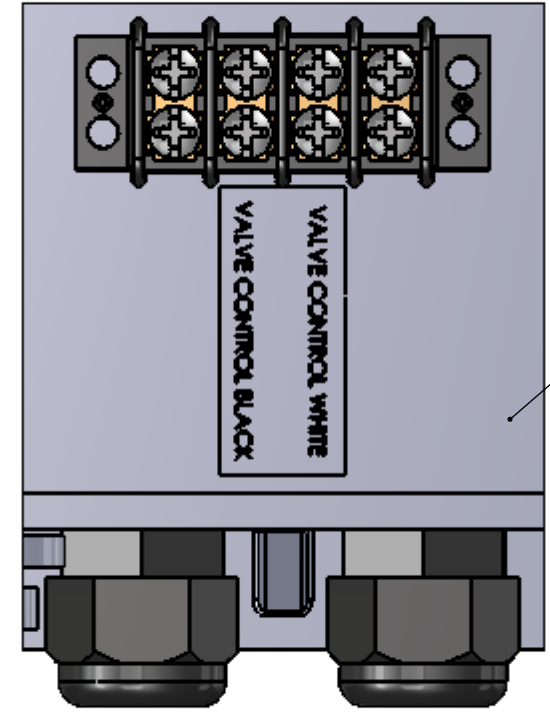
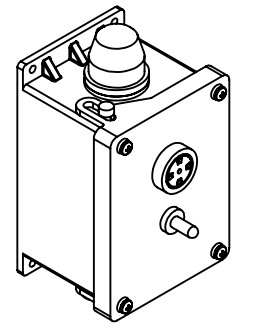
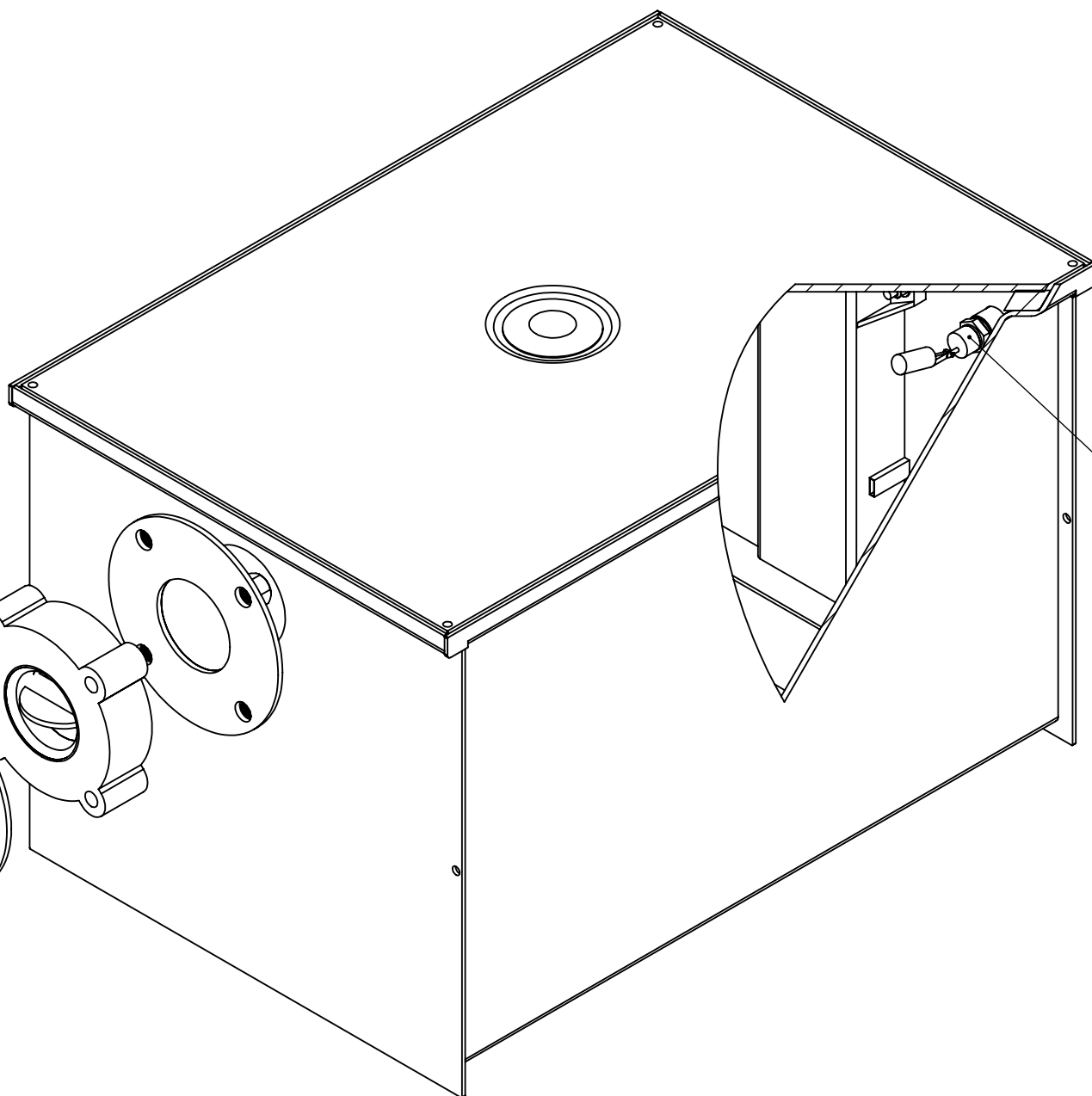
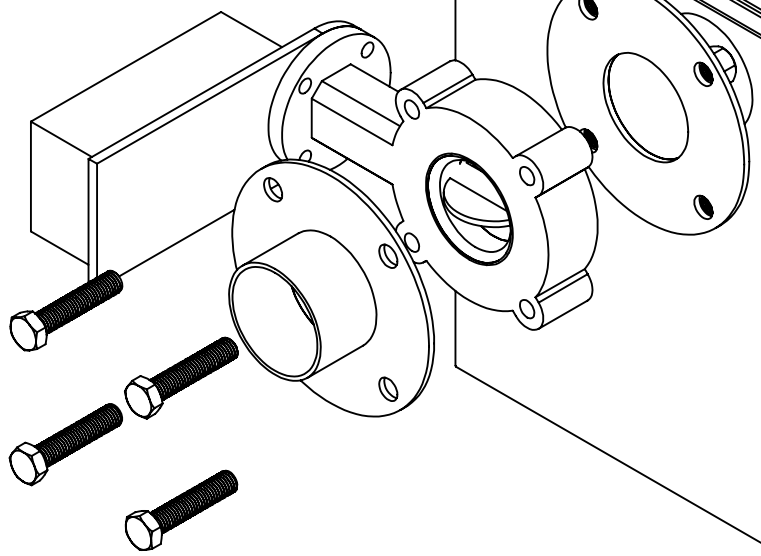


CONNECT HIGH LVL. ALARM SWITCH AT THESE TWO TERMINALS.

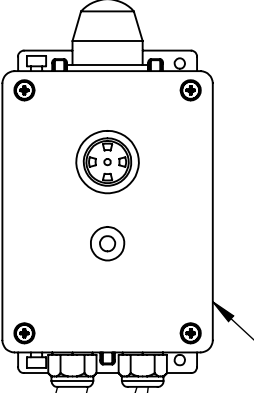


CLOSE UP OF TERMINAL BLOCK INSIDE BOX

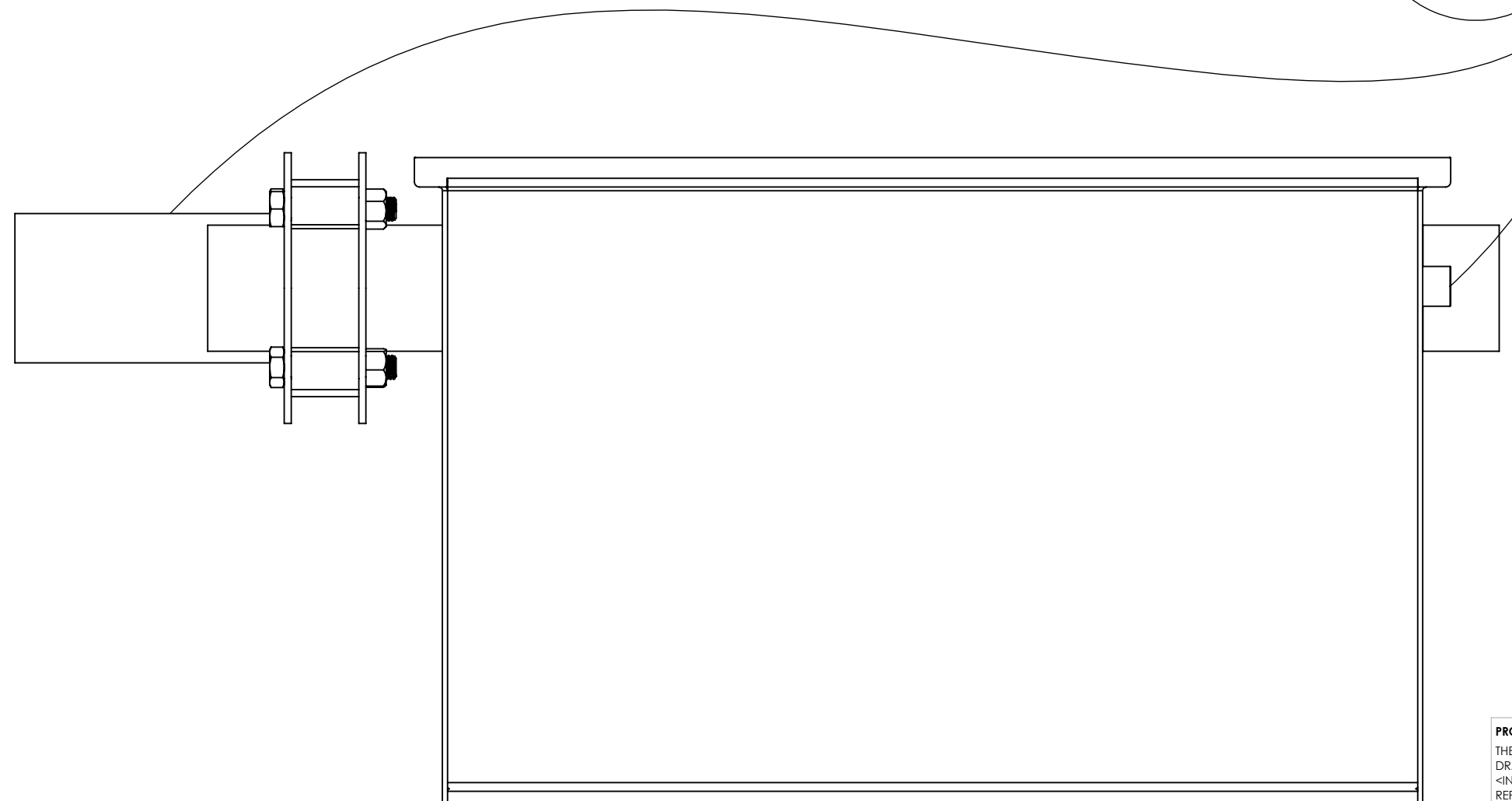


HIGH LVL ALARM SWITCH

ATTACHED 6' POWER CORD 120 VAC CONNECT TO A GFI OUTLET.



CONTROL BOX SHALL BE MOUNTED TO THE NEAREST WALL OR PERMANENT STRUCTURE.



PROPRIETARY AND CONFIDENTIAL
THE INFORMATION CONTAINED IN THIS DRAWING IS THE SOLE PROPERTY OF <INSERT COMPANY NAME HERE>. ANY REPRODUCTION IN PART OR AS A WHOLE WITHOUT THE WRITTEN PERMISSION OF <INSERT COMPANY NAME HERE> IS PROHIBITED.

LASER/SHEAR:	UNLESS OTHERWISE SPECIFIED:	NAME	DATE
BRAKE PRESS:	DIMENSIONS ARE IN INCHES	DRAWN	JH 3/24/15
WELDED BY:	TOLERANCES:	CHECKED	
CLEAN/PAINT:	FRACTIONAL ±1/16	ENG APPR.	
COMPLETED BY:	ANGULAR: MACH ±1° BEND ±1°	MFG APPR.	
REVIEWED BY:	TWO PLACE DECIMAL ±.015	Q.A.	
	THREE PLACE DECIMAL ±.010	QUANTITY:	XX
	TYPICAL DRAFT ANGLE 2°		
	MATERIAL DESCRIPTION		
	SEE-BOM		
	FINISH PART#		
	XX		
NEXT ASSY	USED ON		
APPLICATION	DO NOT SCALE DRAWING		



TITLE: ELECTRONIC GREASE INTERCEPTOR

SIZE DWG. NO. MI-E-INSTALL REV

SCALE: 1:4 WEIGHT: SHEET 1 OF 1