

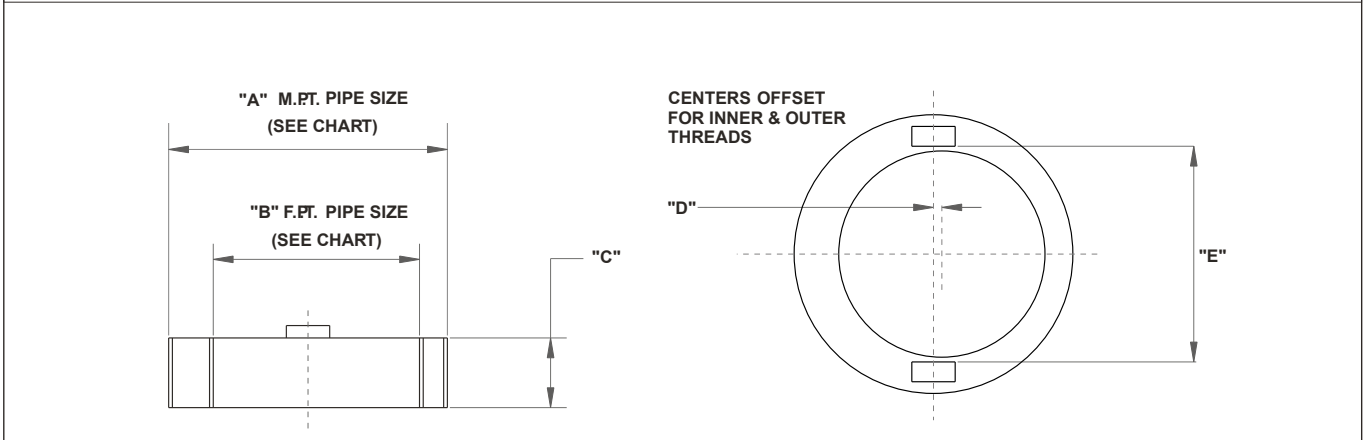
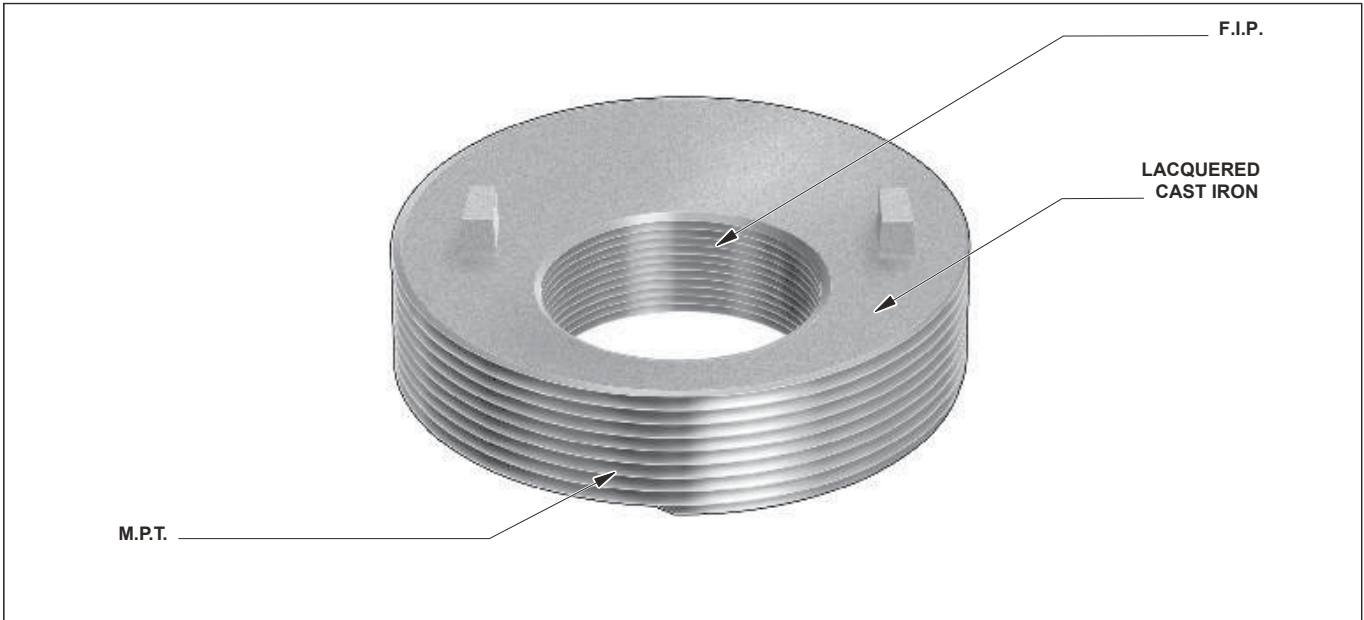


MI-800

FEMALE THREADED ECCENTRIC REDUCER BUSHING

Specification: MIFAB® Series MI-800 lacquered cast iron female threaded eccentric reducer bushing.

Function: Used with side outlet connection drains to reduce the outlet connection by one pipe size.



| MODEL NO. | "A" M.P.T. PIPE SIZE | "B" F.P.T. PIPE SIZE | "C" HEIGHT | "D" | "E" |
|------------|----------------------|----------------------|--------------|-------------|--------------|
| MI-800-2 | 3" (76) | 2" (51) | 7/8" (22) | 3/16" (5) | 2 5/8" (67) |
| MI-800-3 | 4" (102) | 2" (51) | 1 3/16" (30) | 11/16" (17) | 3" (76) |
| MI-800-4 | 4" (102) | 3" (76) | 1 3/16" (30) | 1/8" (3) | 3 9/16" (90) |
| MI-800-6-4 | 6" (152) | 4" (102) | 1 3/16" (30) | 1/8" (3) | 3 9/16" (90) |

| SUFFIX | OPTIONAL VARIATIONS |
|--------|----------------------------|
| -13 | Galvanized cast iron parts |

CALIFORNIA PROPOSITION 65 WARNING. This product contains chemicals known to the State of California to cause cancer and birth defects or other reproductive harm.

Job Name: _____ Page No: _____
 Section No: _____ Contractor: _____
 Schedule No: _____ Purchase Order No: _____