

Location: _____

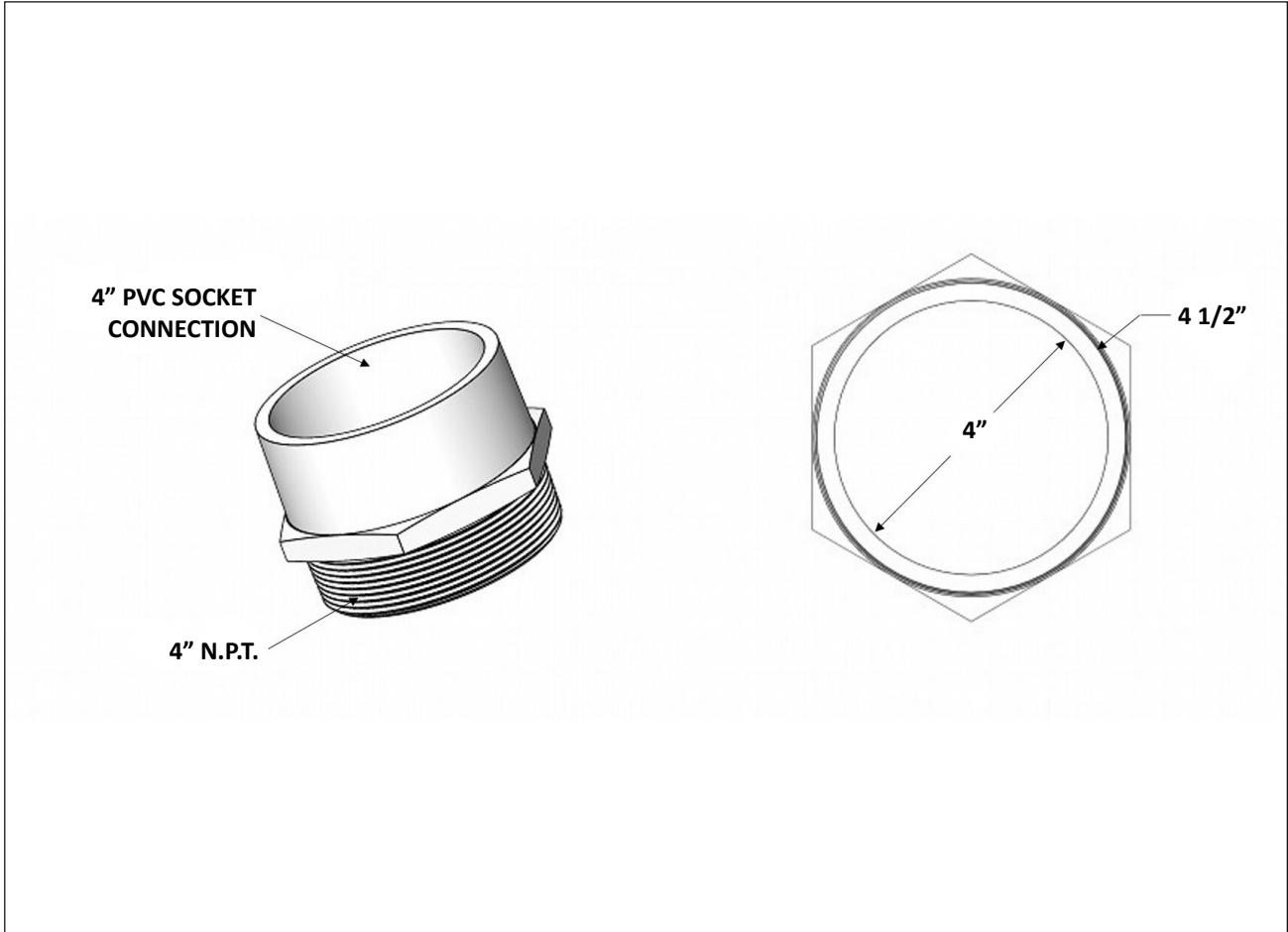


MI-4ADAPT

4" PVC SOCKET X 4" N.P.T. ADAPTER FOR T1460N GRP CHANNELS

Specification: MIFAB® MI-4ADAPT 4" PVC socket x 4" N.P.T. adapter for T1460N GRP channels.

Function: Used to provide a connection method from the 4" bottom socket outlet connection of the T1460N channel to the MIFAB A1 PVC or cast iron body with membrane clamp to secure the waterproofing membrane.



CALIFORNIA PROPOSITION 65 WARNING. This product contains chemicals known to the State of California to cause cancer and birth defects or other reproductive harm.

Job Name: _____ Page No: _____

Section No: _____ Contractor: _____

Schedule No: _____ Purchase Order No: _____

MIFAB reserves the right to make changes in material and design without formal notice and obligation. **USA: 1-800-465-2736 www.mifab.com CAN: 1-800-387-3880**

2023-04-15