

Location: _____

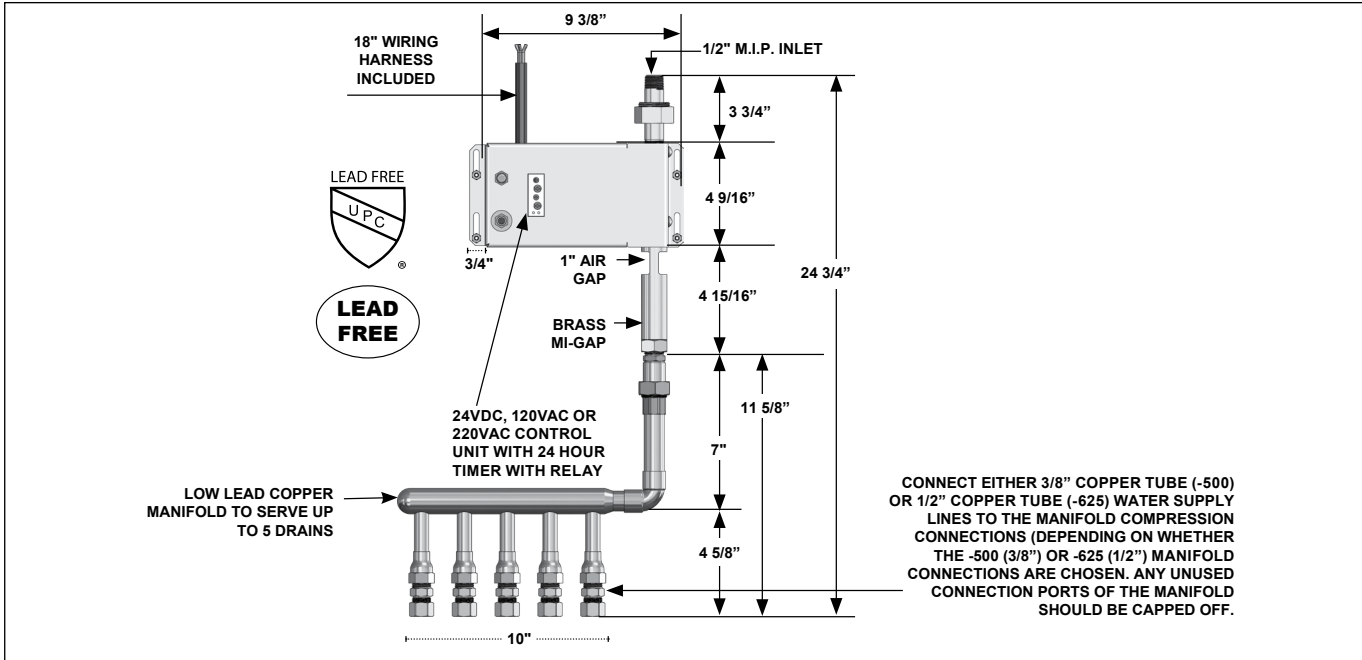


MI-300

ELECTRONIC TRAP SEAL PRIMER WITH AIR GAP, COPPER MANIFOLD AND CONTROL PANEL

Specification: The MI-300 is manufactured with a stainless steel solenoid valve, air gap, copper manifold and electronic controller. The water discharge frequency can be adjusted to meet the building's needs. The MI-300 can be located anywhere in the water supply. A manifold is connected to the bottom of the MI-300 to serve up to 5 drains. The MI-300 is practical for infrequently used buildings such as convention centers and sports facilities. The MI-300 is manufactured in accordance with ANSI/ASME A112.1.2 air gap in plumbing systems Standard. UA 18x18 access door is suggested for access to the MI-300 when installed in the wall.

Function: The MI-300 is engineered to connect to the low-voltage building energy management system used to control the services in commercial, educational and institutional buildings. It can be located anywhere in the water supply. The MI-200 is practical for infrequently used buildings such as convention centers and sports facilities. It is manufactured in accordance to the ANSI/ASME A112.1.2 air gap in plumbing systems Standard. The UA 12" x 12" access door is suggested for access to the MI-200 when installed into the wall.



M-300		
MODEL NO.	DESCRIPTION	SHIPPING WT.
MI-300-500-24VDC	connections for 3/8" copper tube, 24VDC	8 lbs.
MI-300-625-24VDC	connections for 1/2" copper tube, 24VDC	8 lbs.
MI-300-500-120VAC	connections for 3/8" copper tube, 120VAC	8 lbs.
MI-300-625-120VAC	connections for 1/2" copper tube, 120VAC	8 lbs.
MI-300-500-220VAC	connections for 3/8" copper tube, 220VAC	8 lbs.
MI-300-625-220VAC	connections for 1/2" copper tube, 220VAC	8 lbs.

The MI-300 Series of electronic trap seal primers are tested and third party listed to the A.S.S.E. 1044 Standard and CSA B125.3.

Specify Suffix - LM for MI-300 without the copper manifold for single drain line use. (1/2" F.I.P. connection) and **See current TSP price book.**

24VAC direct connect electrical supply is also available, Specify Suffix -24VAC. No Add.

SUFFIX	OPTIONAL VARIATIONS
-3P	120VAC 3 Prong plug
-A	Allen key lock for access door (door is separate)
-AD	Cabinet Cover (bolted to cabinet frame and non hinged) (16 gauge powder epoxy coated steel white)
-ADSS	Stainless Steel (Type 304) Cabinet Cover (bolted to cabinet frame and non hinged) (16 gauge fabricated stainless steel (Type 304)
-BA	Buy American Act compliant product
-BP	Battery Pack
-C	Cylinder key lock for access door (door is separate)
-DW	Drywall bead frame for access door (5" cabinet depth) (door is separate)
-ENC	Steel Cabinet to enclose MI-200 / MI-300 (16 gauge powder epoxy coated steel (white) cabinet
-ENCSS	Stainless Steel (Type 304) Cabinet to enclose MI-200 / MI-300 (16 gauge fabricated stainless steel (Type 304)

-LM	MI-300 without the copper manifold for single drain line use. (1/2" F.I.P. connection)
-MFRU	Uninsulated fire rated access door, flush mount (6" minimum overall depth) (door is separate)
-PL	Paddle latch for access door (door is separate)
-SS	Stainless Steel (Type 304) Cabinet (16 gauge fabricated stainless steel (Type 304) (MI-100, MI-100-DR)
-UA	Access door, prime coated (5" minimum overall depth)
-UA55	Access door, stainless steel (5" minimum overall depth)
-24VAC	24VAC
-24VDC	24VAC
-75WS	3/4" water supply connection
-120VAC	120VAC
-220VAC	120VAC
-500	3/8" copper tube connection ports
-625	1/2" copper tube connection ports

CALIFORNIA PROPOSITION 65 WARNING. This product contains chemicals known to the State of California to cause cancer and birth defects or other reproductive harm.

Job Name: _____ Page No: _____
 Section No: _____ Contractor: _____
 Schedule No: _____ Purchase Order No: _____

Location: _____



MI-300

**ELECTRONIC TRAP SEAL PRIMER WITH AIR GAP,
COPPER MANIFOLD AND CONTROL PANEL**

TRAP SEAL PRIMER TROUBLESHOOTING

Following are some things to trouble shoot when it comes to our M-500-NPB Series of Trap Seal Primers (M1-500-NPB, M2-500-NPB, MR-500-NPB).

1) What is the line pressure for the installation?

The M-500-NPB Series will work in 35-80psi.

2) How far away is the trap seal primer from the source of the pressure drop?

Anything farther away than 20 feet is an issue, as the farther the primer is away from the source of the pressure drop, the less likely it will sense it and work.

3) What is the pressure drop where the primer is?

MIFAB's M-500-NPB Series of primers will work with as little as 3 psi in pressure drop. With today's low flow and consumption faucets, there is less pressure drop being created when the faucets and toilets are used.

4) Water hammer arrestors on the line can also affect pressure drop in the line.

It would be best to get a pressure reading where the trap primer is installed. The M-500-NPB series needs a fast, sharp pressure drop to activate. The long pipe run to the trap primer and the water hammer arrestor may not be allowing the trap primer to function properly.

5) Look at the gauge fluctuation

Is it a quick and sharp pressure drop? Or did it gradually drop? The trap primers need a quick pressure drop to activate. A slow gradual pressure drop may not be enough to activate the M-500-NPB. That is why we state that they should be as close to the pressure drop source as possible. The M1-500 has the most buoyant cartridge and should perform the best. If the trap primer looked good and was filled with water then it is the rate of the pressure drop that is causing the issue.

**Also refer to the copy in the Trap Seal Primer section in
the current MPB List Price book.**

CALIFORNIA PROPOSITION 65 WARNING. This product contains chemicals known to the State of California to cause cancer and birth defects or other reproductive harm.

Job Name: _____ Page No: _____
Section No: _____ Contractor: _____
Schedule No: _____ Purchase Order No: _____