

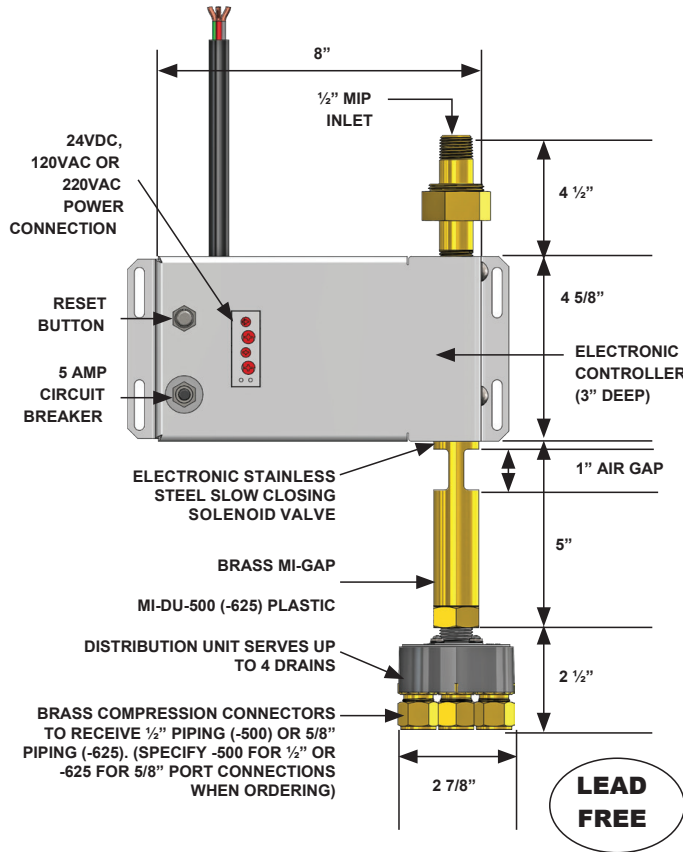
Location: \_\_\_\_\_



# MI-300-DU

## ELECTRONIC TRAP SEAL PRIMER WITH AIR GAP, DISTRIBUTION UNIT AND CONTROL PANEL

**Specification:** The MI-300-DU is manufactured with a copper air gap, stainless steel body 1/2" solenoid valve, and 1-4 ports distribution unit (specify -500 for 1/2" or -625 for 5/8" port connections when ordering). Electronic components to include single point power connection at 120VAC, 220VAC or 24VDC, manual override switch, 5 amp breaker, 24 hour timer with relay and adjustable delay. 100 p.s.i. operating pressure. The MI-300-DU is manufactured in accordance to the ANSI/ASME A112.1.2 air gap in plumbing systems Standard.



MODEL NO.	DESCRIPTION	SHIPPING WT.
MI-300-500-DU-24VDC	connections for 1/2" piping, 24VDC	7 lbs.
MI-300-625-DU-24VDC	connections for 5/8" piping, 24VDC	7 lbs.
MI-300-500-DU-120VAC	connections for 1/2" piping, 120VAC	7 lbs.
MI-300-625-DU-120VAC	connections for 5/8" piping, 120VAC	7 lbs.
MI-300-500-DU-220VAC	connections for 1/2" piping, 220VAC	7 lbs.
MI-300-625-DU-220VAC	connections for 5/8" piping, 220VAC	7 lbs.

24VAC direct connect electrical supply is also available, Specify Suffix -24VAC.

CALIFORNIA PROPOSITION 65 WARNING. This product contains chemicals known to the State of California to cause cancer and birth defects or other reproductive harm.

Job Name: \_\_\_\_\_ Page No: \_\_\_\_\_  
 Section No: \_\_\_\_\_ Contractor: \_\_\_\_\_  
 Schedule No: \_\_\_\_\_ Purchase Order No: \_\_\_\_\_

## MI-300-DU ADDITIONAL VARIATIONS

SUFFIX	DESCRIPTION
-3P	120VAC 3 Prong plug
-A	Allen key lock for access door (door is separate)
-AD	Cabinet Cover (bolted to cabinet frame and non hinged) (16 gauge powder epoxy coated steel white)
-ADSS	Stainless Steel (Type 304) Cabinet Cover (bolted to cabinet frame and non hinged) (16 gauge fabricated stainless steel (Type 304))
-BA	Buy American Act compliant product
-BP	Battery Pack
-C	Cylinder key lock for access door (door is separate)
-DW	Drywall bead frame for access door (5" cabinet depth) (door is separate)
-ENC	Steel Cabinet to enclose MI-200 / MI-300 (16 gauge powder epoxy coated steel (white) cabinet)
-ENCSS	Stainless Steel (Type 304) Cabinet to enclose MI-200 / MI-300 (16 gauge fabricated stainless steel (Type 304))
-MFRU	Uninsulated fire rated access door, flush mount (6" minimum overall depth) (door is separate)
-PL	Paddle latch for access door (door is separate)
-SS	Stainless Steel (Type 304) Cabinet (16 gauge fabricated stainless steel (Type 304)) ( <i>MI-100, MI-100-DR</i> )
-UA	Access door, prime coated (5" minimum overall depth)
-UASS	Access door, stainless steel (5" minimum overall depth)
-24VAC	24VAC
-24VDC	24VDC
-75WS	3/4" water supply connection
-120VAC	120VAC
-220VAC	220VAC
-500	1/2" compression connection ports
-625	5/8" compression connection ports