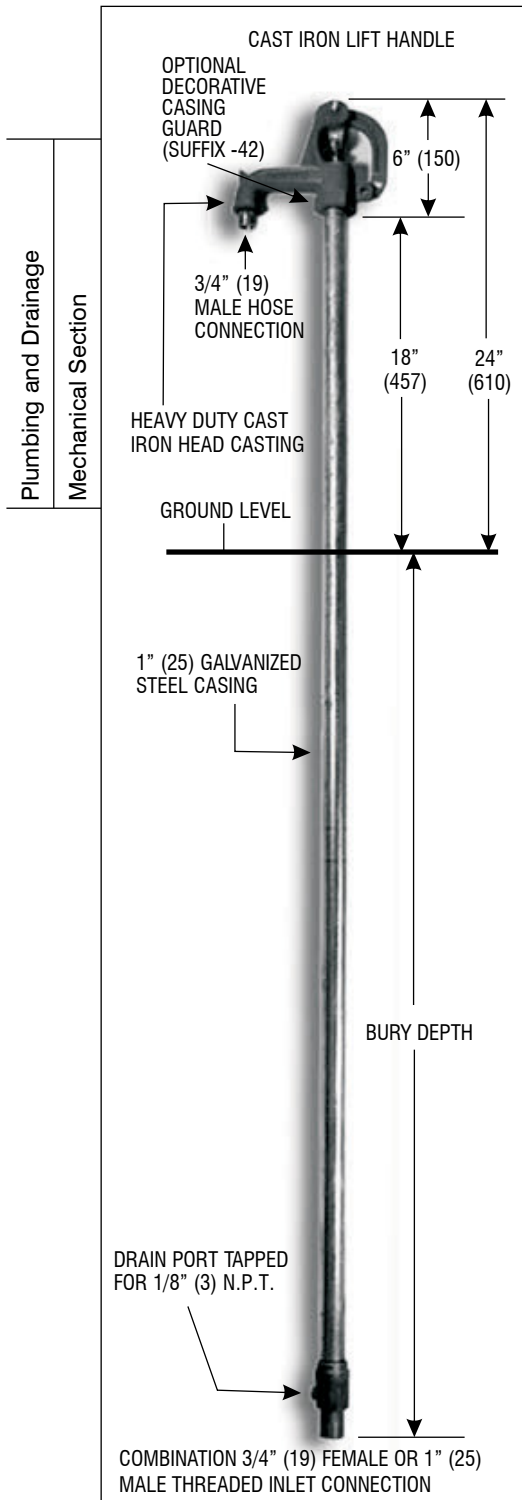


Location: _____



MHY-68

YARD HYDRANT



Specification: MIFAB® Series MHY-68 ____ (specify length) non freeze yard hydrant with heavy duty cast iron head casting and lift handle with lock feature and combination 3/4" (19) female and 1" (25) male inlet connection. Hydrant assembly complete with neoprene plunger, hardened bronze operating stem, 1" (25) galvanized steel casing, heavy duty bronze head casting with head nut assembly, 3/8" (9) diameter galvanized steel operating rod and a tapped 1/8" (3) drain port in the bronze tailpiece.

Operation: Opening the hydrant will allow water to flow freely from the hose connection and seal the drain port to prevent water from being wasted. Closing the hydrant opens the drain port to allow existing water in the hydrant to drain to prevent freezing.

Features: The 1" (25) galvanized steel casing will prevent rust and deterioration in acidic ground areas. Heavy duty cast iron head casting with a lacquered coating is standard.

Function: Intended for installation in areas that require ready water flow. MIFAB's yard hydrants are used to clean tools and equipment, maintain lawns and gardens, water livestock, fill field spray equipment and provide a general potable water supply even in below freezing temperature conditions.

MODEL NO.	OVER LENGTH		BURY DEPTH		APPROXIMATE WEIGHT	
	IN	MM	FT	CM	Lbs.	Kgs.
MHY-68-1	36	80.3	1	30.4	15	5.71
MHY-68-2	48	121.9	2	60.9	17	7.71
MHY-68-3	60	152.0	3	91.4	19	8.61
MHY-68-4	72	182.9	4	121.9	22	9.97
MHY-68-5	84	213.0	5	155.4	24	10.88
MHY-68-6	96	243.8	6	182.9	26	11.79
MHY-68-8	120	304.8	8	243.8	30	13.60

SUFFIX OPTIONAL VARIATIONS

- 0 1" (25) Hose connection
- 8 Vacuum breaker (Certified to A.S.S.E. Standard 1011 and listed with I.A.P.M.O.)
- 42 Decorative casing guard
- BA Minimum 51% material cost made in the USA
- PA Pennsylvania Steel Act compliant product

(Dimension) Denotes Millimetres

CALIFORNIA PROPOSITION 65 WARNING. This product contains chemicals known to the State of California to cause cancer and birth defects or other reproductive harm.

Job Name: _____ Page No: _____
 Section No: _____ Contractor: _____
 Schedule No: _____ Purchase Order No: _____