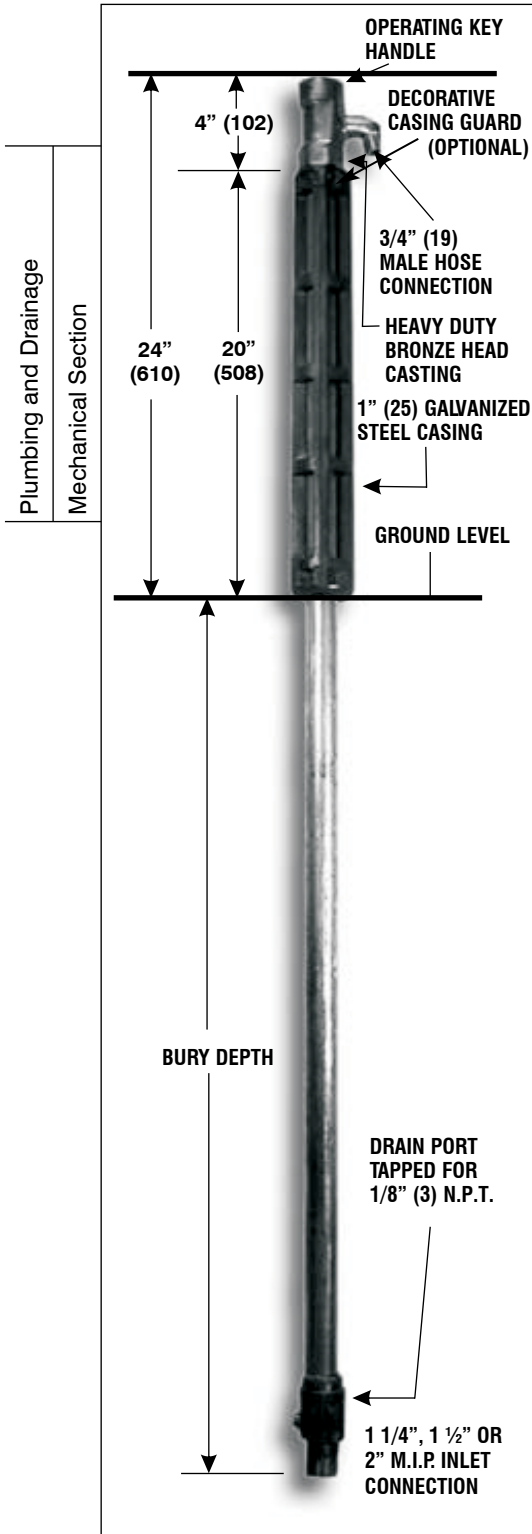


Location: _____



MHY-66

POST HYDRANT



Specification: MIFAB® Series MHY-66 ____ (specify length) non freeze post hydrant with exposed bronze head and 1 1/4", 1 1/2" or 2" (specify) male inlet connection. Hydrant assembly complete with one piece neoprene plunger, hardened bronze operating stem, 1" (25) galvanized steel casing, heavy duty bronze head casting with head nut assembly, 3/8" (9) diameter galvanized steel operating rod, decorative casing guard, tapped 1/8" (3) drain port in the bronze tailpiece, and an operating key.

Operation: Opening the hydrant will allow water to flow freely from the hose connection and seal the drain port to prevent water from being wasted. Closing the hydrant opens the drain port to allow existing water in the hydrant to drain to prevent freezing.

Features: The 1" (25) galvanized steel casing will prevent rust and deterioration in acidic ground areas. The head nut assembly can be removed for ready access to internal parts.

Function: Intended for installation in exterior deck areas, farms, golf courses, parks, recreation and landscaped areas to provide a ready supply of potable water.

MODEL NO.	OVER LENGTH		BURY DEPTH		APPROXIMATE WEIGHT	
	IN	MM	FT	CM	Lbs.	Kgs.
MHY-66-2	48	122.0	2	60.9	10	4.53
MHY-66-3	60	152.0	3	91.4	13	5.89
MHY-66-4	72	183.0	4	121.9	15	6.80
MHY-66-5	84	213.0	5	155.4	17	7.71
MHY-66-6	96	244.0	6	182.9	19	8.61
MHY-66-7	108	274.0	7	213.4	21	9.52
MHY-66-8	120	305.0	8	243.8	23	10.43
MHY-66-9	132	355.0	9	274.3	25	11.34
MHY-66-10	144	366.0	10	304.8	27	12.24

SUFFIX OPTIONAL VARIATIONS

- BA Minimum 51% material cost made in the USA
- PA Pennsylvania Steel Act compliant product
- 0 1" (25) Hose connection
- 8 Vacuum breaker (Certified to A.S.S.E. Standard 1011 and listed with I.A.P.M.O.)
- 12 Wheel handle
- 42 Decorative casing guard
- 125 1 1/4" connection
- 150 1 1/2" connection
- 200 2" connection

(Dimension) Denotes Millimetres

CALIFORNIA PROPOSITION 65 WARNING. This product contains chemicals known to the State of California to cause cancer and birth defects or other reproductive harm.

Job Name: _____ Page No: _____
 Section No: _____ Contractor: _____
 Schedule No: _____ Purchase Order No: _____