

Location: _____

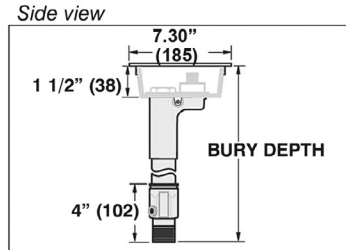
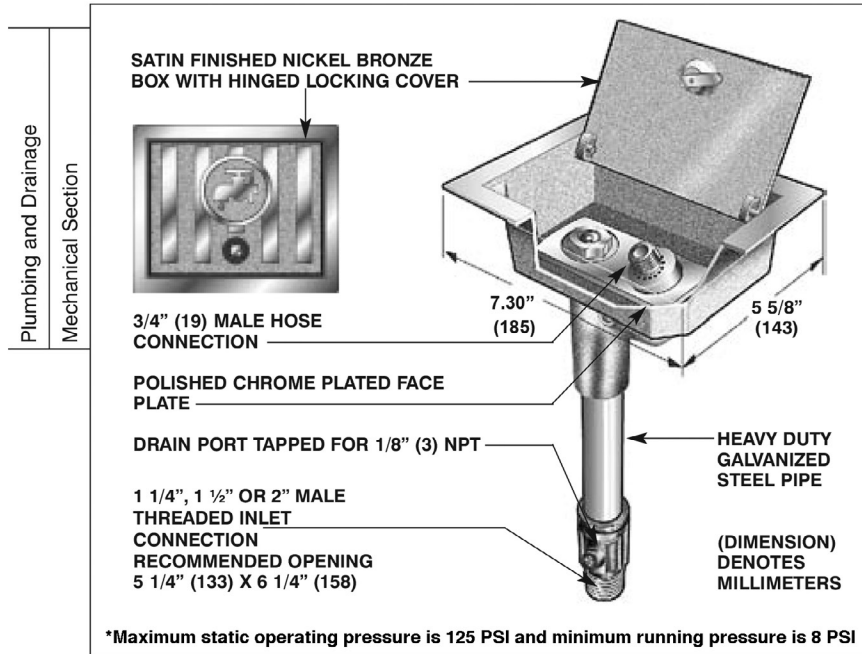


MHY-61

**LAWN/GROUND HYDRANT
1 1/4" 1 1/2", 2" CONNECTION**

Specification: MIFAB® Series MHY-61 (specify length) A.S.S.E. 1019-B certified self draining, non freeze, lawn/ground hydrant with A.S.S.E. 1011 approved anti-siphon and vandal resistant integral vacuum breaker with 3/4" (19) male hose connection. Hydrant assembly complete with one piece neoprene plunger to control both the flow and drain functions, hardened bronze operating stem, drain port under the hexagon nut, heavy duty galvanized steel pipe, heavy duty chrome plated bronze head casting, polished chrome plated face plate and satin finished nickel bronze box with hinged locking cover. Operating key furnished with each hydrant opens the hydrant, box and prevents unauthorized use. Hydrant inlet connection complete with drain port tapped for 1/8" (3) N.P.T.

Function: Lawn/ground hydrants are installed flush with surrounding surfaces and are intended for use on golf courses, shopping centers, parks and landscaped areas around buildings. Suitable for connection to 1 1/4", 1 1/2", or 2" water supply.



MHY-61 SERIES FEATURE

- **INTERNAL COMPONENTS** - hardened bronze operating stem and one piece neoprene plunger.
- **VACUUM BREAKER** - unique self draining vandal resistant integral vacuum breaker protects from anti-siphon conditions.
- **CASING** - heavy duty galvanized steel pipe.
- **APPROVALS** - MHY-61 Series wall hydrant is tested and certified to the A.S.S.E. Standard 1019-B and listed by I.A.P.M.O. The antisiphon vacuum breaker is tested and certified to the A.S.S.E. Standard 1011 and listed by I.A.P.M.O.

MODEL NO.	BURY DEPTH		INLET CONNECTION
	FT	MM	
MHY-61-2	2	603	1 1/4", 1 1/2", OR 2" M.I.P.
MHY-61-3	3	905	1 1/4", 1 1/2", OR 2" M.I.P.
MHY-61-4	4	1207	1 1/4", 1 1/2", OR 2" M.I.P.
MHY-61-5	5	1508	1 1/4", 1 1/2", OR 2" M.I.P.
MHY-61-6	6	1810	1 1/4", 1 1/2", OR 2" M.I.P.
MHY-61-7	7	2112	1 1/4", 1 1/2", OR 2" M.I.P.
MHY-61-8	8	2414	1 1/4", 1 1/2", OR 2" M.I.P.

SUFFIX OPTIONAL VARIATIONS

- BA Minimum 51% material cost made in the USA
- FL Anchor flange
- FLM Anchor flange and membrane clamp
- HSB Hose storage box (fabricated steel)
- K Cylinder key lock
- PA Pennsylvania Steel Act compliant product
- 0 1" (25) Hose connection
- 3 Type 304 Stainless steel box (HY-1500-3-NL)

SUFFIX OPTIONAL VARIATIONS

- 9 1/4" (6) drain port in box
- 10 3/8" (9) drain port in box
- 11 1/2" (13) drain port in box
- 49 Polished chrome plated nickel bronze box
- 125 1 1/4" connection
- 150 1 1/2" connection
- 200 2" connection



CALIFORNIA PROPOSITION 65 WARNING. This product contains chemicals known to the State of California to cause cancer and birth defects or other reproductive harm.

Job Name: _____
 Section No: _____
 Schedule No: _____

Page No: _____
 Contractor: _____
 Purchase Order No: _____