

Location: \_\_\_\_\_

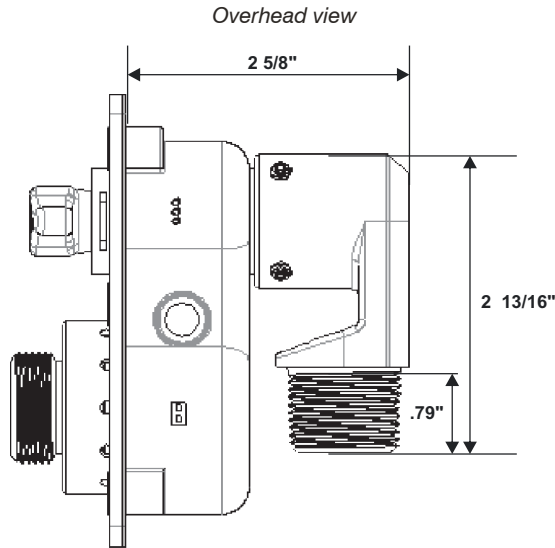


**MHY-50**

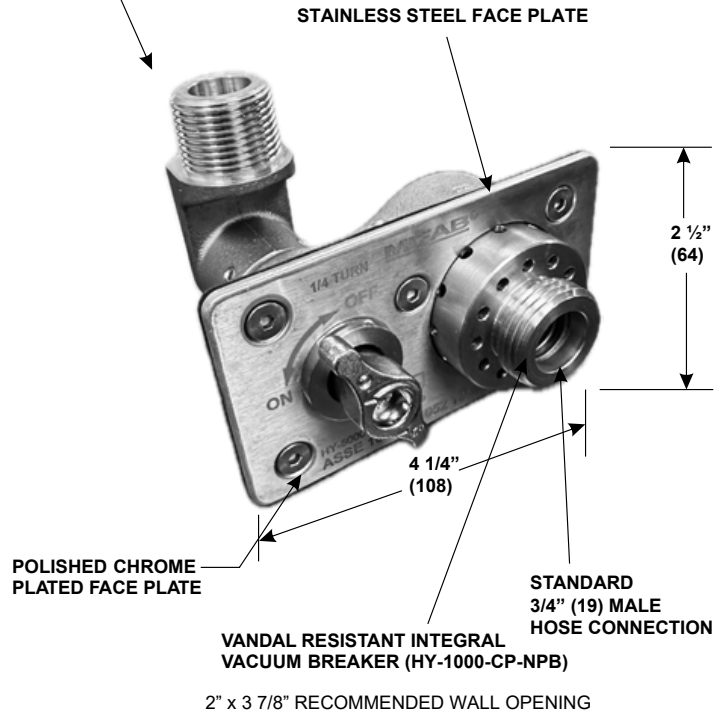
**MODERATE CLIMATE NARROW WALL HYDRANT**

**Speci cation:** MIFAB® Series MHY-50 self draining, lead free, moderate climate narrow wall hydrant with A.S.S.E. 1019 & 1052 certified antisiphon vandal resistant double vacuum breaker. Operating key furnished with each hydrant.

**Function:** The MHY-50 Series hydrants feature a combination 3/4" SWT. and 3/4" M.I.P. inlet connection that swivels 360° to any position for easy connection to the water supply. The overall depth of the HY-5000-NPB is 2 5/8".



3/4" MALE THREADED x 3/4" INTERNAL SWT 90° CONNECTION WITH 360° SWIVEL



**MHY-50 SERIES FEATURES:**

- **INTERNAL COMPONENTS** - Quarter-turn ceramic cartridge assembly.
- **VACUUM BREAKER** - unique self draining vandal resistant integral double vacuum breaker protects from anti-siphon conditions.
- **FACE PLATE** - polished stainless steel
- **WATER SUPPLY CONNECTION** - swivel 360° to any position.
- **APPROVALS** - MHY-50 wall hydrant is listed with I.A.P.M.O. and manufactured with an anti-siphon vacuum breaker that is tested and certified to the A.S.S.E. Standard 1019 & 1052.



The wetted surface contacted by consumable water contains less than one quarter of one percent (0.25%) of lead by weight.

*The wetted surface contacted by consumable water contains less than one quarter of one percent (0.25%) of lead by weight.*

MODEL NO.	OVER LENGTH		APPROXIMATE WEIGHT		SWIVEL INLET CONNECTION
	IN	MM	Lbs.	Kgs.	IN
MHY-50	2 5/8	68	1	0.5	3/4" SWT, 3/4" M.I.P.

**SUFFIX OPTIONAL VARIATIONS**

- BA Minimum 51% material cost made in the USA
- PA Pennsylvania Steel Act compliant product
- 0 1" (25) Hose connection
- RK Repair kit

**(Dimensions) Donates Millimeters**

CALIFORNIA PROPOSITION 65 WARNING. This product contains chemicals known to the State of California to cause cancer and birth defects or other reproductive harm.

Job Name: \_\_\_\_\_ Page No: \_\_\_\_\_  
 Section No: \_\_\_\_\_ Contractor: \_\_\_\_\_  
 Schedule No: \_\_\_\_\_ Purchase Order No: \_\_\_\_\_