

Location: _____

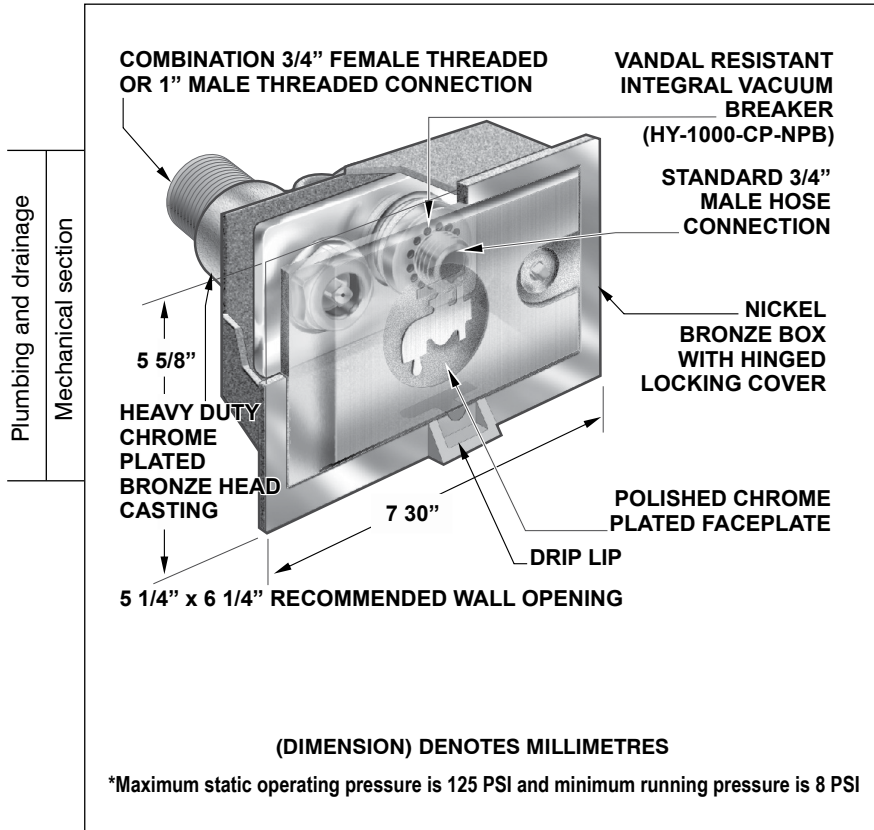


MHY-35

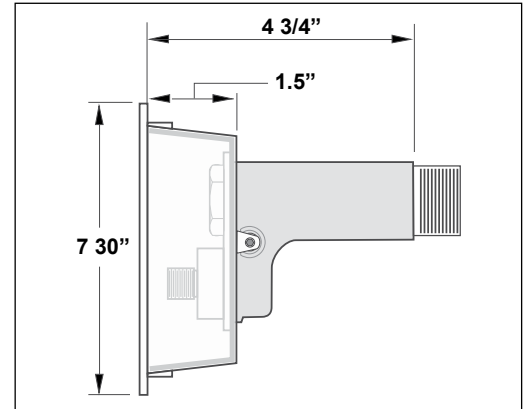
ENCASED LOW LEAD MODERATE CLIMATE WALL HYDRANT

Speci cation: MIFAB® Series MHY-35 encased type, self draining, low lead moderate climate wall hydrant with A.S.S.E. 1011 certified antisiphon vandal resistant integral vacuum breaker. Hydrant assembly complete with ceramic cartridge assembly to control the flow function, hardened bronze operating stem, heavy duty chrome plated bronze head casting, polished chrome plated face plate and satin finished nickel bronze box with hinged locking cover. Operating key furnished with each hydrant.

Function: Designed to blend in with commercial applications such as office buildings, apartment complexes, malls and shopping centers, schools, churches and industrial buildings.



Overhead view



MHY-35 SERIES FEATURES:

- **INTERNAL COMPONENTS** - hardened bronze operating stem and one piece neoprene plunger.
- **VACUUM BREAKER** - unique self draining vandal resistant integral vacuum breaker protects from anti-siphon conditions.
- **FACE PLATE** - polished chrome plated.
- **APPROVALS** - MHY-35 Series wall hydrant is listed with I.A.P.M.O. and is manufactured with an anti-siphon vacuum breaker that is tested and certified to the A.S.S.E. Standard 1011.



The wetted surface contacted by consumable water contains less than one quarter of one percent (0.25%) of lead by weight.

MODEL NO.	WALL THICKNESS		OVER LENGTH		APPROXIMATE WEIGHT		SWIVEL INLET CONNECTION
	IN	MM	IN	MM	Lbs.	Kgs.	IN
MHY-30	3 1/2"	114	3 1/2"	114	2	0.9	3/4" Female, 1" Male IPS combination

SUFFIX OPTIONAL VARIATIONS

- BA Minimum 51% material cost made in the USA
- K Cylinder key lock
- PA Pennsylvania Steel Act compliant product
- RB Fabricated stainless steel hydrant box with round back for tilt up construction (MHY-3-RB- 5 7/8"round back with 2" x 3.81" rectangular opening to receive hydrant).

SUFFIX OPTIONAL VARIATIONS

- S Four 1" x 1 1/4" (25 x 6) slots on top and two sides of box to receive mounting brackets
- WC Wall clamp
- 0 1" (25) Hose connection
- 3 Cast stainless steel hydrant box
- 49 Polished chrome plated nickel bronze box

CALIFORNIA PROPOSITION 65 WARNING. This product contains chemicals known to the State of California to cause cancer and birth defects or other reproductive harm.

Job Name: _____ Page No: _____
 Section No: _____ Contractor: _____
 Schedule No: _____ Purchase Order No: _____