

Location: \_\_\_\_\_



**MDW**

**DRYWALL BEAD ACCESS DOOR**

**Specification:** MIFAB® Series MDW access door is designed for installation after the drywall has been applied and when a concealed outer flange is required. The outer frame has a galvanized drywall taping bead. Drywall cement can be applied over the beading at the same time as the wallboard joints and corners. Only the door is visible. It has a unique light color finish.

**Material:** MDW Series is 16 gauge satin coat steel door and 16 gauge satin coat steel frame. The MDWSS Stainless Steel Series is 16 gauge #304 stainless steel door and frame.

**Finish:** Satin coat steel doors have a primed finish. Stainless steel doors have a #4 brush satin finish.

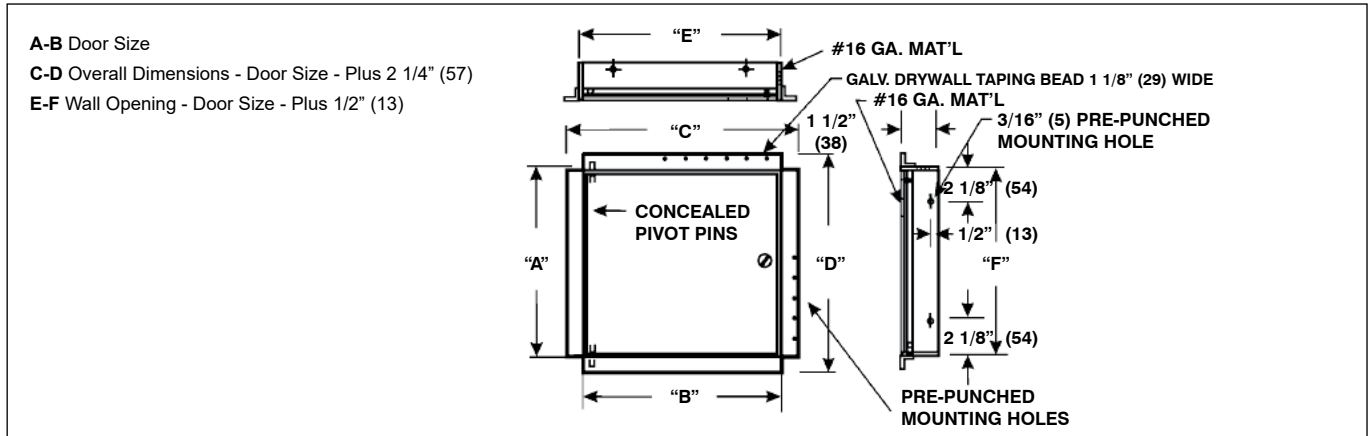
**Door:** Flush to frame. Turned back around edges for extra rigidity.

**Frame:** Drywall taping bead on all sides.

**Hinge:** Concealed pivot pins.

**Latch:** Standard – Flush mounted, screwdriver operated cam. Optional – Allen key, cylinder key, paddle latch, or vandal resistant latch. All of MIFAB's cylinder key locks are keyed alike.

**Packaging:** Individual pack.



"B" x "A"	WALL OPENING	SHIP WEIGHT (Lbs.)	LATCHES	MILD STEEL MODEL #	STAINLESS STEEL MODEL #
8" x 8"	8 3/8" x 8 3/8"	3.5	1	MDW0808	MDWSS0808
10" x 10"	10 3/8" x 10 3/8"	4.5	1	MDW1010	MDWSS1010
12" x 12"	12 3/8" x 12 3/8"	6.0	1	MDW1212	MDWSS1212
14" x 14"	14 3/8" x 14 3/8"	7.0	1	MDW1414	MDWSS1414
16" x 16"	16 3/8" x 16 3/8"	8.0	1	MDW1616	MDWSS1616
18" x 18"	18 3/8" x 18 3/8"	12.0	3	MDW1818	MDWSS1818
22" x 22"	22 3/8" x 22 3/8"	14.0	3	MDW2222	MDWSS2222
24" x 24"	24 3/8" x 24 3/8"	17.5	3	MDW2424	MDWSS2424
24" x 36"	24 3/8" x 36 3/8"	21	5	MDW2436	MDWSS2436
30" x 30"	30 3/8" x 30 3/8"	22	5	MDW3030	MDWSS3030
36" x 36"	36 3/8" x 36 3/8"	32	5	MDW3636	MDWSS3636

SUFFIX	OPTIONAL VARIATIONS
-A	Allen key lock
-BA	Minimum 51% material cost made in the USA
-C	Cylinder key lock
-PA	Pennsylvania Steel Act compliant product
-PL	Paddle latch
-VP	Vandal resistant hardware (VP Screwdriver included)
-WR	Water Resistant

(Dimension) Denotes Millimetres

**NOTE:** The hinge is always furnished on the "A" or height (longer) dimension, unless otherwise specified.

CALIFORNIA PROPOSITION 65 WARNING. This product contains chemicals known to the State of California to cause cancer and birth defects or other reproductive harm.

Job Name: \_\_\_\_\_ Page No: \_\_\_\_\_  
 Section No: \_\_\_\_\_ Contractor: \_\_\_\_\_  
 Schedule No: \_\_\_\_\_ Purchase Order No: \_\_\_\_\_