

Location: _____

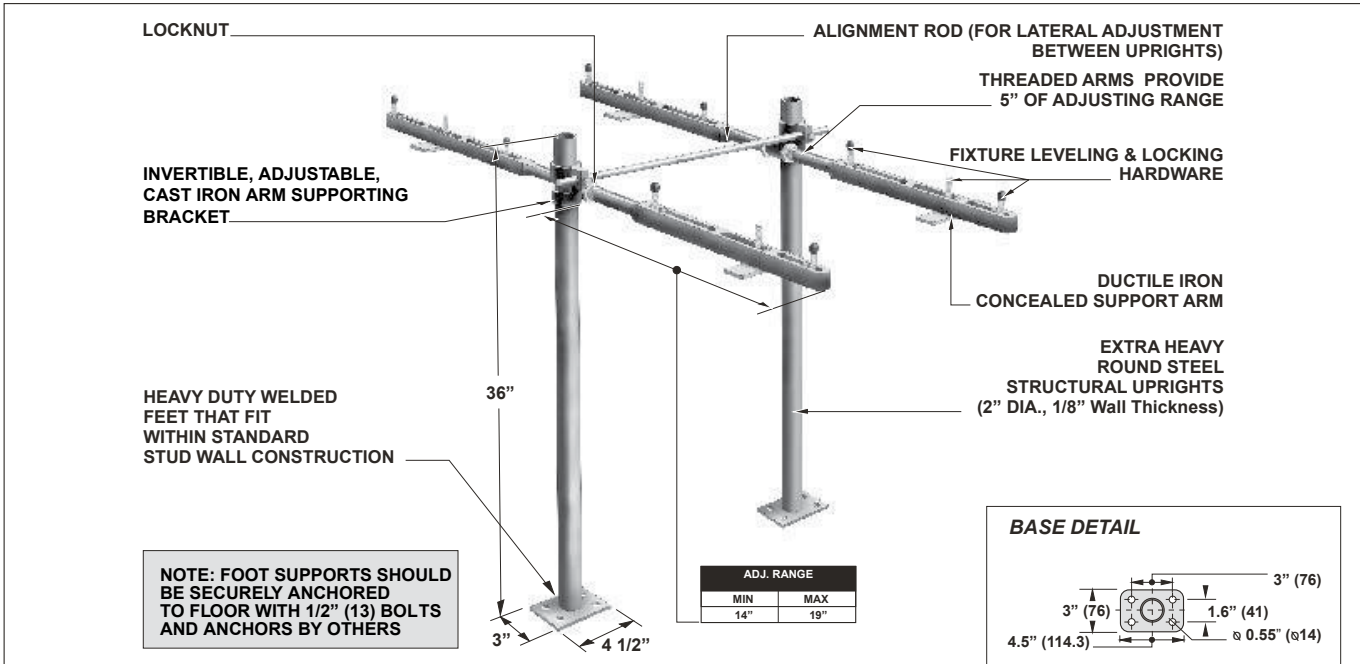


MC-41D-R

BACK TO BACK FIXTURE CARRIER WITH CONCEALED ARMS AND ROUND UPRIGHTS FOR ADA LAVATORIES

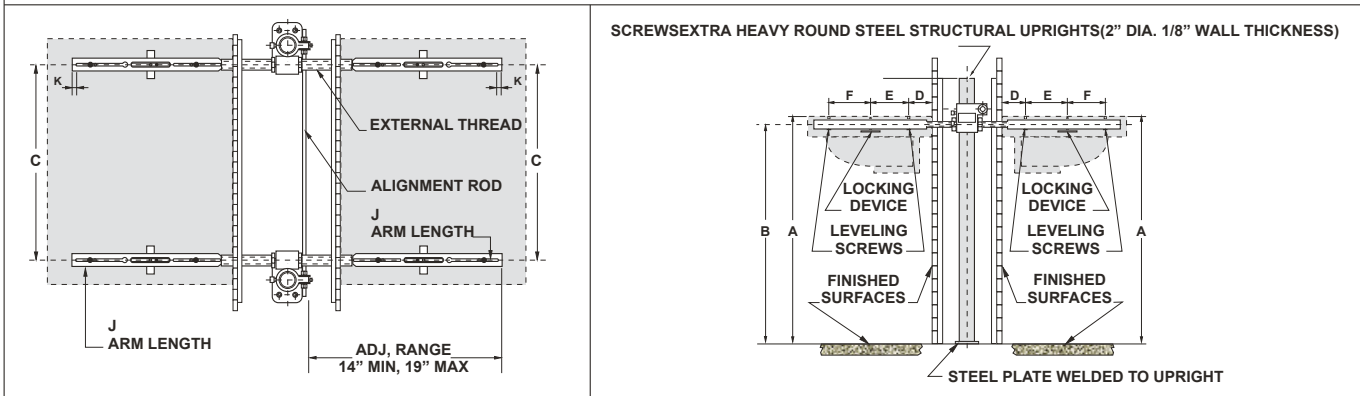
Specification: MIFAB® Series MC-41D-R floor mounted back to back concealed arm lavatory carrier with lacquered, adjustable, ductile iron concealed support arms. Complete with lacquered cast iron invertible and adjustable arm supporting brackets, alignment rod, two lacquered 2" diameter x 1/8" thick structural steel uprights with 3" x 4 1/2" welded steel feet and fixture leveling and locking hardware.

Function: Used to support back to back off-the-floor fixtures so that the vertical load bearing components are concealed within the wall. The fixture carrier has no contact with the finished floor inside of the room. The round uprights allow for lateral adjustment to the arms.



MC-41D-R Series Meets ANSI/ASME fixture carrier standard A112.6.1M-97

Note: Wall supported fixture mounting plates must be securely affixed (with suitable hardware by others) to a wall fully capable of bearing the weight of the plate and fixture.



| SUFFIX | OPTIONAL VARIATIONS |
|--------------|---|
| -B | Floor to ceiling uprights (specify height required) |
| -BA | Minimum 51% material cost made in the USA |
| -E2 | 2" chrome plated escutcheons (pair) |
| -G | Wall support plate |
| -PA | Pennsylvania Steel Act compliant product |
| -PFAB | Prefabricated carrier |
| see MC-42D-R | Paraplegic Rough-in |
| -32 | Foot pedal mounting plate |
| -88 | Mounting hardware for cast iron wall hung lavs |

CALIFORNIA PROPOSITION 65 WARNING. This product contains chemicals known to the State of California to cause cancer and birth defects or other reproductive harm.

Job Name: _____ Page No: _____
 Section No: _____ Contractor: _____
 Schedule No: _____ Purchase Order No: _____