

Location: _____

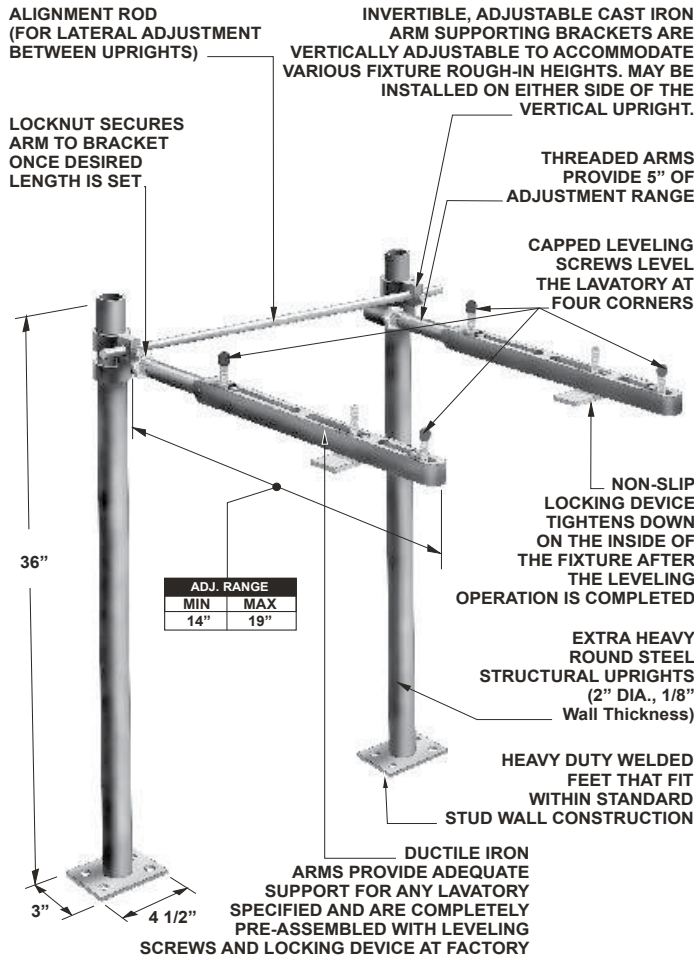


MC-41-R

FIXTURE CARRIER WITH CONCEALED ARMS AND ROUND UPRIGHTS

Specification: MIFAB® Series MC-41-R floor mounted concealed arm lavatory carrier with lacquered, adjustable, ductile iron concealed support arms. Complete with lacquered cast iron invertible and adjustable arm supporting brackets, alignment rod, two lacquered 2" diameter x 1/8" thick structural steel uprights with 3" x 4 1/2" welded steel feet and fixture leveling and locking hardware.

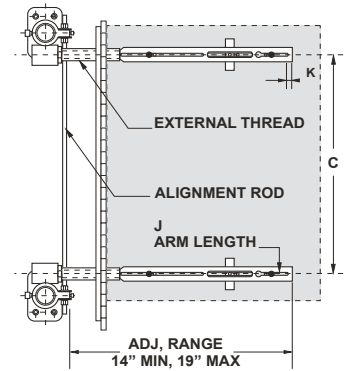
Function: Used to support off-the-floor fixtures so that the vertical load bearing components are concealed within the wall. The fixture carrier has no contact with the finished floor inside of the room. The round uprights allow for lateral adjustment to the arms.



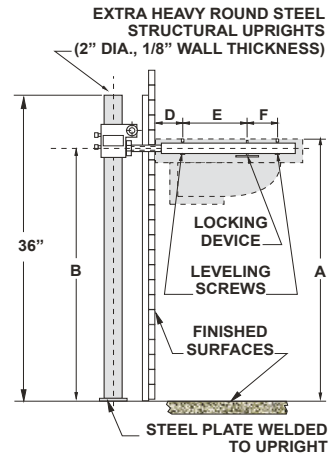
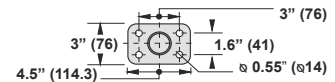
MC-41-R Series Meets ANSI/ASME fixture carrier standard A112.6.1M-97

NOTE: FOOT SUPPORTS SHOULD BE SECURELY ANCHORED TO FLOOR WITH 1/2" (13) BOLTS AND ANCHORS BY OTHERS.

Note: Wall supported fixture mounting plates must be securely affixed (with suitable hardware by others) to a wall fully capable of bearing the weight of the plate and fixture.



BASE DETAIL



SUFFIX	OPTIONAL VARIATIONS
-B	Floor to ceiling uprights (specify height required)
-BA	Minimum 51% material cost made in the USA
-E2	2" chrome plated escutcheons (pair)
-G	Wall support plate
-PA	Pennsylvania Steel Act compliant product
-PFAB	Prefabricated carrier
see MC-42D-R	Paraplegic Rough-in
-32	Foot pedal mounting plate
-88	Mounting hardware for cast iron wall hung lavs

CALIFORNIA PROPOSITION 65 WARNING. This product contains chemicals known to the State of California to cause cancer and birth defects or other reproductive harm.

Job Name: _____

Page No: _____

Section No: _____

Contractor: _____

Schedule No: _____

Purchase Order No: _____