

Location: _____

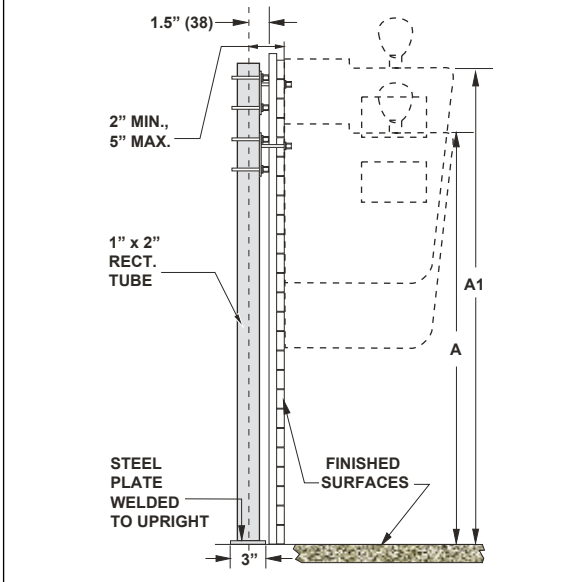
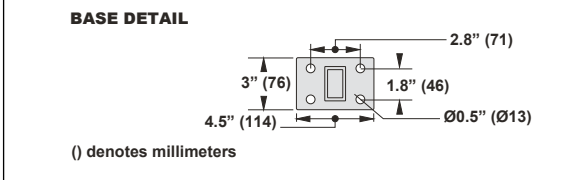
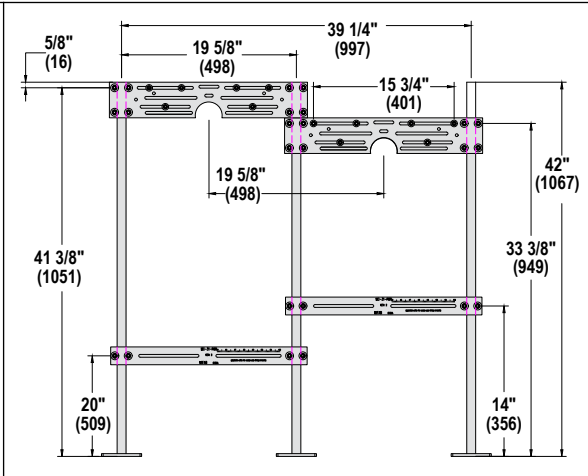
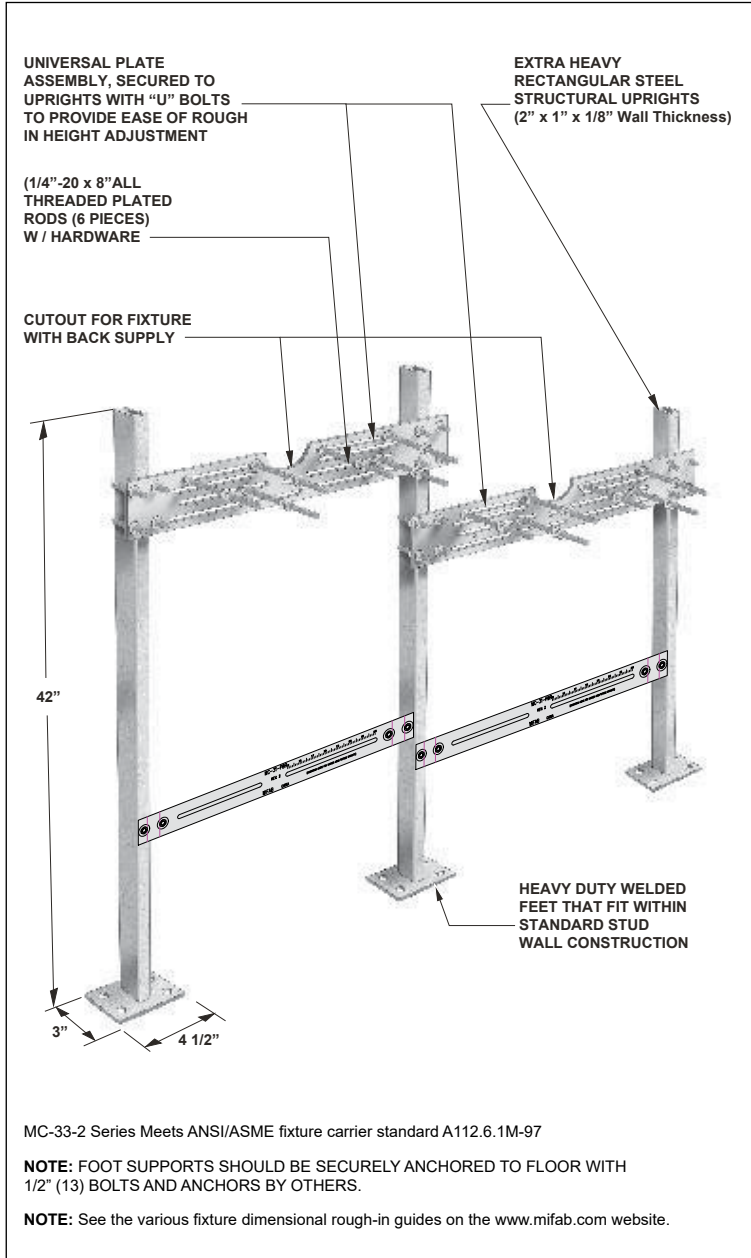


MC-33-2

HANGER PLATE CARRIER WITH BEARING PLATE AND THREE UPRIGHTS

Specification: MIFAB® Series MC-33-2 hanger plate carrier with two universal, adjustable, top support plates and bottom bearing plate. Complete with three lacquered 2" x 1" x 1/8" thick structural steel uprights with 3" x 4 1/2" welded steel feet and mounting hardware.

Function: Used to support wall-hung fixtures such as water coolers that are independent of the wall. Bottom bearing plate provides extra support for the fixture. Designed for use in conjunction with the fixture hangar plate supplied by the fixture manufacturer.



SUFFIX	OPTIONAL VARIATIONS
-A	Stud length over 8" (specify)
-BA	Buy American Act compliant product
-HDH	Heavy duty hanger

-PA	Pennsylvania Steel Act compliant product
-PFAB	Prefabricated carrier
-Z	Higher uprights (over 42")

CALIFORNIA PROPOSITION 65 WARNING. This product contains chemicals known to the State of California to cause cancer and birth defects or other reproductive harm.

Job Name: _____ Page No: _____

Section No: _____ Contractor: _____

Schedule No: _____ Purchase Order No: _____