

Location: _____



MC-33-2

HANGER PLATE CARRIER WITH BEARING PLATE AND THREE UPRIGHTS

Specification: MIFAB® Series MC-33-2 hanger plate carrier with two universal, adjustable, top support plates and bottom bearing plate. Complete with three lacquered 2" x 1" x 1/8" thick structural steel uprights with 3" x 4 1/2" welded steel feet and mounting hardware.

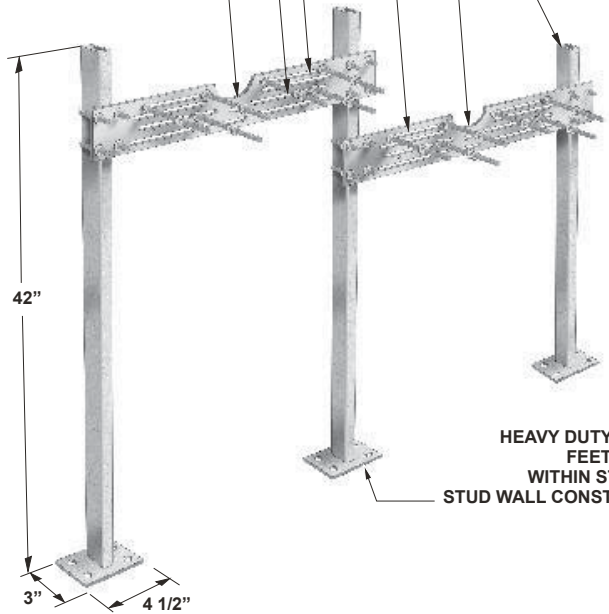
Function: Used to support wall-hung fixtures such as water coolers that are independent of the wall. Bottom bearing plate provides extra support for the fixture. Designed for use in conjunction with the fixture hangar plate supplied by the fixture manufacturer.

UNIVERSAL PLATE ASSEMBLY, SECURED TO UPRIGHTS WITH "U" BOLTS TO PROVIDE EASE OF ROUGH-IN HEIGHT ADJUSTMENT

EXTRA HEAVY RECTANGULAR STEEL STRUCTURAL UPRIGHTS (2" x 1" x 1/8" Wall Thickness)

(1/4"-20 x 8" ALL THREADED PLATED RODS (6 PIECES) W / HARDWARE

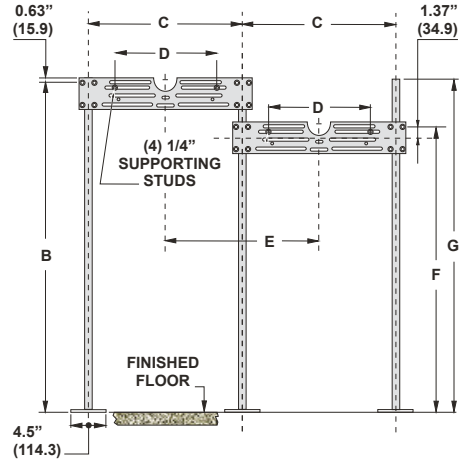
CUTOUT FOR FIXTURE WITH BACK SUPPLY



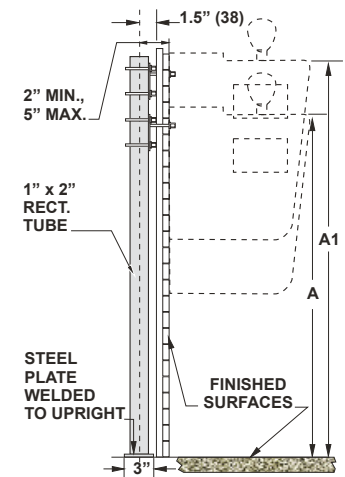
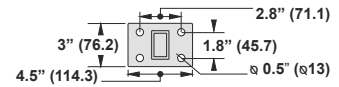
HEAVY DUTY WELDED FEET THAT FIT WITHIN STANDARD STUD WALL CONSTRUCTION

MC-33-2 Series Meets ANSI/ASME fixture carrier standard A112.6.1M-97 300 Lb. Load Rating

NOTE: FOOT SUPPORTS SHOULD BE SECURELY ANCHORED TO FLOOR WITH 1/2" (13) BOLTS AND ANCHORS BY OTHERS.
 Note: See the various fixture dimensional rough-in guides on the www.mifab.com website.



BASE DETAIL



SUFFIX	OPTIONAL VARIATIONS
-A	Stud length over 8" (specify)
-BA	Minimum 51% material cost made in the USA
-HDH	Heavy duty hanger
-PA	Pennsylvania Steel Act compliant product
-PFAB	Prefabricated carrier
-Z	Higher uprights (over 42")

CALIFORNIA PROPOSITION 65 WARNING. This product contains chemicals known to the State of California to cause cancer and birth defects or other reproductive harm.

Job Name: _____

Page No: _____

Section No: _____

Contractor: _____

Schedule No: _____

Purchase Order No: _____