

Location: _____

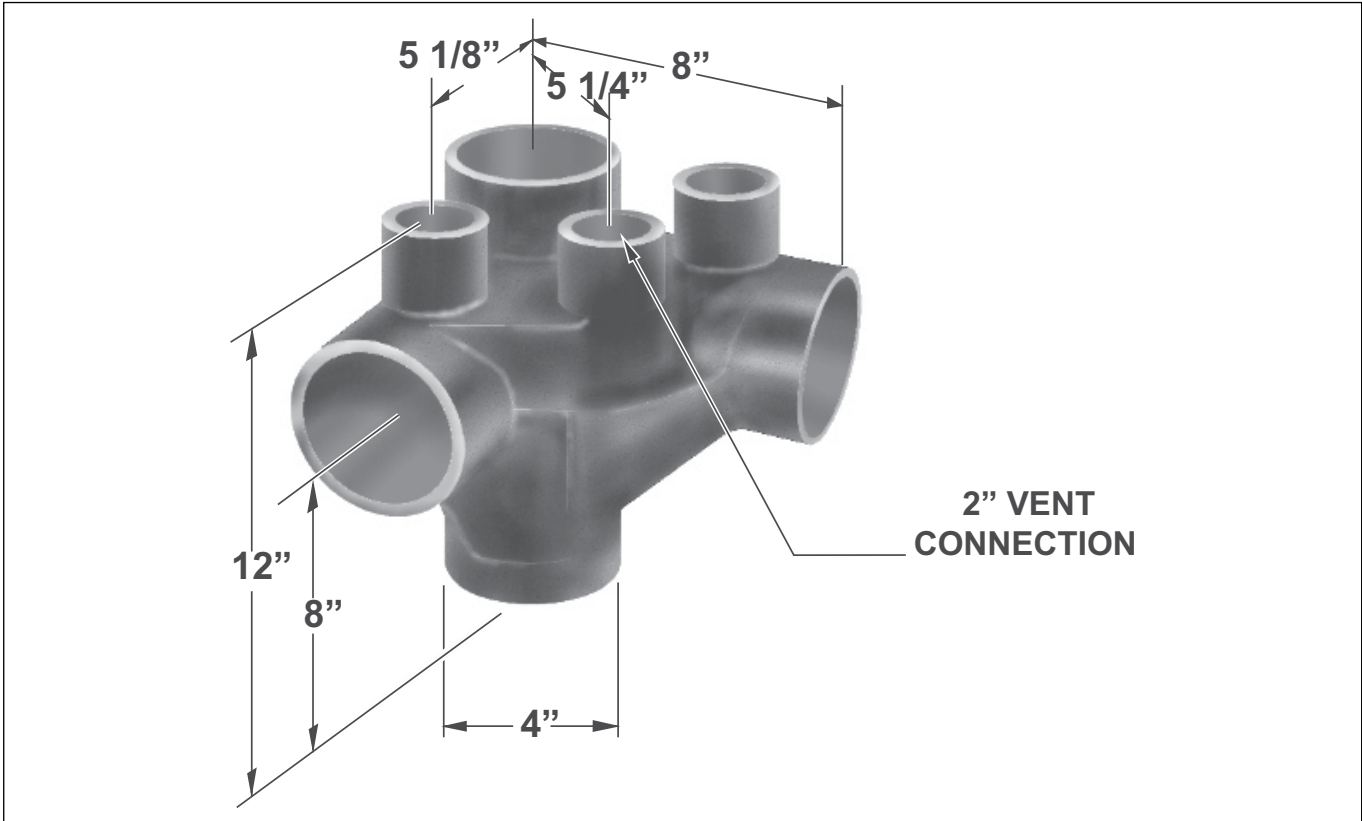


MC-28

90° DOUBLE NO HUB STACK FITTING FOR FLOOR MOUNTED BACK OUTLET WATER CLOSETS

Specification: MIFAB® Series MC-28 lacquered cast iron 90° double no hub stack fitting with 4" (102) no hub waste, 2" (51) no hub center vent connection and anti-crossover baffles for floor mounted back outlet water closets.

Function: Used in institutions where one stack fitting serves two rooms while providing separate vent hubs. Also typical with floor mounted, back outlet water closets installed at right angles to each other. The optional vent connections are for connection to a lavatory waste when required.



| MODEL NO. | DESCRIPTION | WEIGHT (Lbs.) |
|-----------|---|---------------|
| MC-28 | 4" Pipe size 90 Degree Double Fitting with 2" center vent | 46.00 |

| SUFFIX | OPTIONAL VARIATIONS |
|--------|---|
| -BA | Minimum 51% material cost made in the USA |
| -PA | Pennsylvania Steel Act compliant product |
| -13 | All galvanized |
| -23 | 45° auxiliary inlet |
| -32 | No hub nipple with 4" cleanout for penal fixtures |

CALIFORNIA PROPOSITION 65 WARNING. This product contains chemicals known to the State of California to cause cancer and birth defects or other reproductive harm.

Job Name: _____ Page No: _____
 Section No: _____ Contractor: _____
 Schedule No: _____ Purchase Order No: _____