

Location: _____

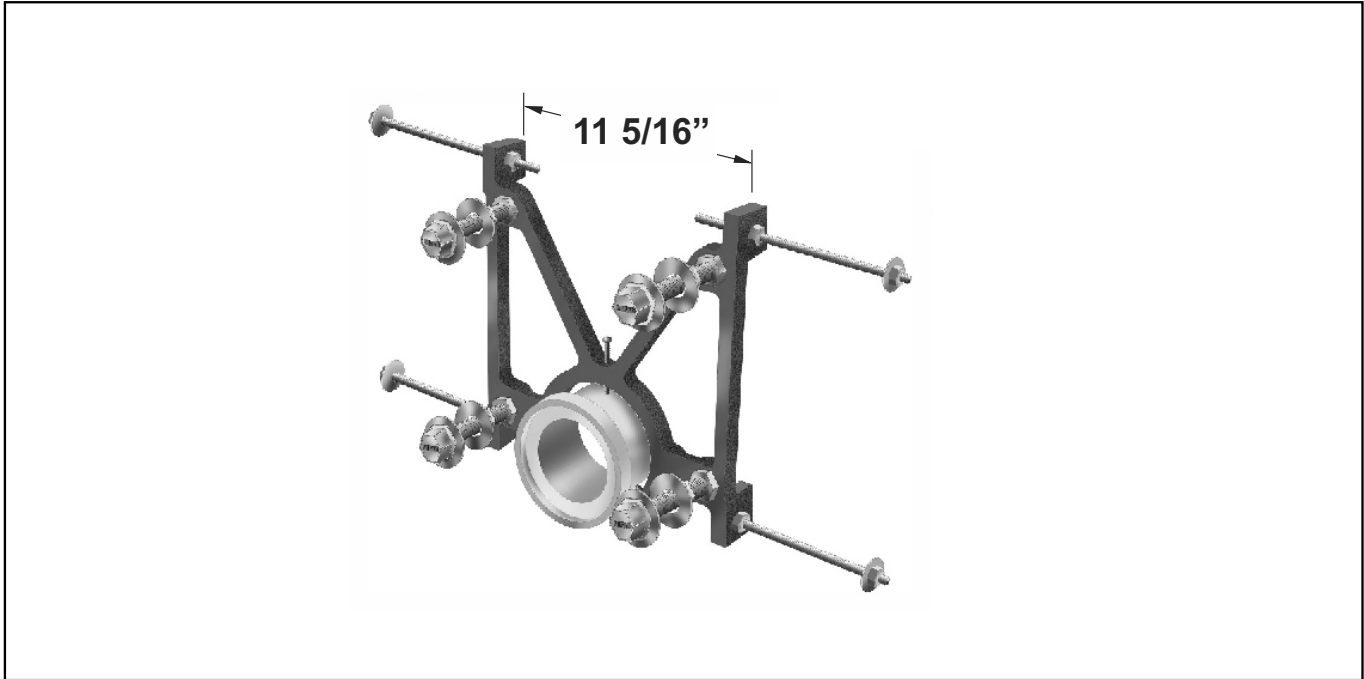


MC-24

**RESIDENTIAL
WATER CLOSET CARRIER**

Specification: MIFAB® Series MC-24 residential water closet carrier with lacquered cast iron finish, 3" (76) PVC adapter, mounting hardware, threaded rod protectors and polished chrome plated finishing cap nuts.

Function: Used as a water closet carrier for floor mounted plumbing fixtures in stud wall construction. The closet carrier is completely concealed within the wall. The side mounting hardware bolts to the stud walls framing the carrier.



MODEL NO.	DESCRIPTION	WEIGHT (Lbs.)
MC-24	Single carrier with 3" PVC adapter	25.00
MC-24-DC	Single carrier with foot supports and opening for 4" PVC adapter fitting	25.00
MC-25-3-2	3" No Hub single with 2" vent for connection to No Hub, PVC, ABS, Copper	30.00
MC-25-4-2	4" No Hub single with 2" vent for connection to No Hub, PVC, ABS, Copper	76.00
MC-25-4-4	4" No Hub single with 4" vent for connection to No Hub, PVC, ABS, Copper	40.00
MC-25-4D-RV2	4" No Hub - back to back	50.00
MC-25-RV2	4" No Hub offset with 2" vent	40.00
Add for:	-29 Foot support system (MC-25 Series only)	-

SUFFIX	OPTIONAL VARIATIONS
-BA	Minimum 51% material cost made in the USA
-PA	Pennsylvania Steel Act compliant product
-14	Vandal proof finish trim

CALIFORNIA PROPOSITION 65 WARNING. This product contains chemicals known to the State of California to cause cancer and birth defects or other reproductive harm.

Job Name: _____ Page No: _____
 Section No: _____ Contractor: _____
 Schedule No: _____ Purchase Order No: _____