

Location: \_\_\_\_\_



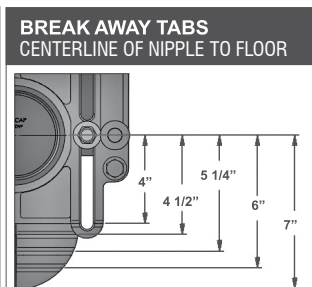
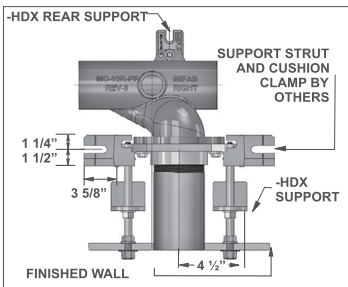
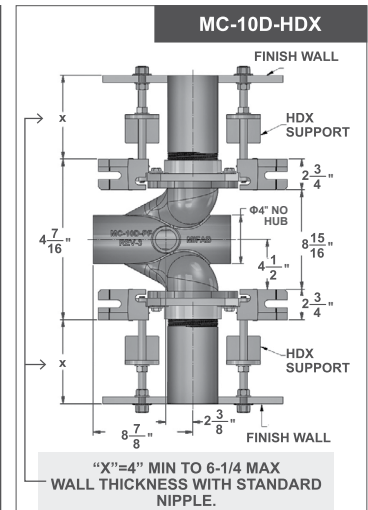
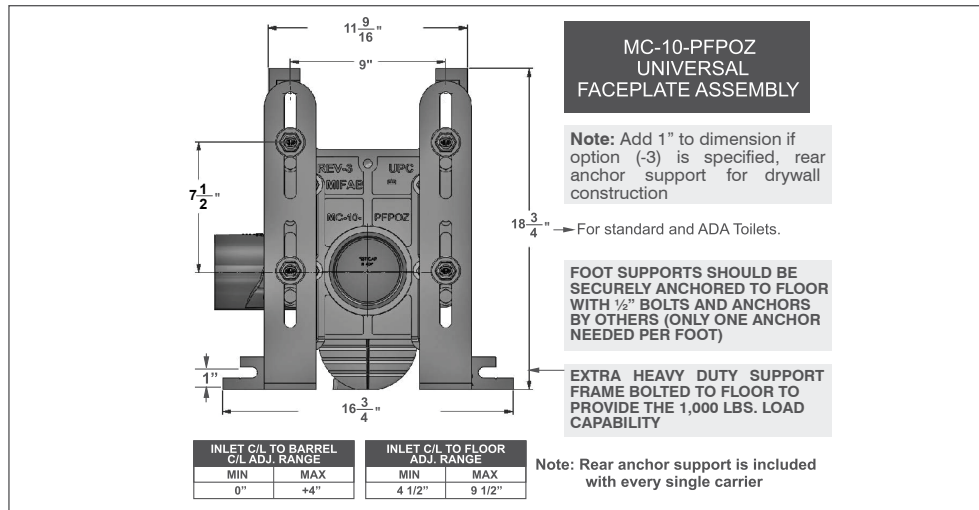
**MC-10D-HDX**

**DOUBLE 1,000LBS. EXTRA HEAVY DUTY HORIZONTAL ADJUSTABLE WATER CLOSET CARRIER**

**Specification:** MIFAB® Series MC-10-HDX, 1000 lb. Carrier Support complies with all applicable requirements of ASME A112.6.1M up to a 1000 lb. (454 kg.) load. This support is used in concert with the standard lacquered cast iron adjustable faceplate, lacquered cast iron waste fitting, adjustable ABS nipple, hardware and finishing kit.

**Function:** Used to provide additional support capability in excess of standard carrier static loading. The -HDX option is for use with all MC-10, MC-12, and MC-13 series fixture carriers when up to a 1000 lb. static load is anticipated. System comes with adjustable support frame and rear anchor tie-down. The feet and rear anchors are bolted to the floor using anchors capable of achieving the specified “pull-out” force (750 lbs. / 340 kg.) in which the rear anchors are mandatory for secure installation.

**Note:** 8” tapered thread ABS nipple shipped standard with MC-10 Series carriers. The universal faceplate assembly accepts all nipple variations, rolling thread (-OR), cast iron (-CI) and tapered thread ABS with adjustable horn (-AH).



**Note:** 8” tapered thread ABS nipple shipped standard with MC-10 Series carriers. The universal faceplate assembly accepts all nipple variations, rolling thread (-OR), cast iron (-CI) and tapered thread ABS with adjustable horn (-AH).

MODEL NO.	DESCRIPTION	WEIGHT (Lbs.)
MC-10L-HDX	Single left hand	85.00
MC-10R-HDX	Single right hand	85.00
MC-10D-HDX	Double - back to back	160.00
-HS	Hub and spigot connection (single) Hub and spigot connection (double)	

**MC-10D-HDX Series Meets ANSI/ASME fixture carrier standard A112.6.1M-97 500Lb. Load Rating**

SUFFIX	OPTIONAL VARIATIONS
-01	Neoprene bowl gasket (MC-10-PBG)
-1	Finishing / Tiling Frame (MC-10-1-PTFK)
-3	Rear anchor support (MC-10-3-PRSFK)
-10	Auxiliary support, recommended with nipple lengths over 12”(MC-10-AFS)
-12	12” tapered thread ABS nipple* (MC-10-PN12-31)
-13	All galvanized
-14	Vandal proof finish trim (MC-10-PFH-14)
-17	Test plug for custom cast iron nipples
-19	Nipple wrench (MC-10-PCW)
-20	Flush valve support (MC-10-FVS)
-22	Less fitting
-AH8	8” ABS nipple with adjustable horn (MC-10-PN8AH-31)

-AH12*	12” ABS nipple with adjustable horn* (MC-10-PN12AH-31)
-ASY	Prefabricated carriers
-CI-4	4” rolling thread cast iron nipple (MC-10-PN4R-50)
-CI-6	6” rolling thread cast iron nipple (MC-10-PN6R-50)
-CI-8	8” rolling thread cast iron nipple (MC-10-PN8R-50)
-CI-12*	12” rolling thread cast iron nipple* (MC-10-PN12R-50)
-CI-24	24” rolling thread cast iron nipple (MC-10-PN24R-50)
-FM	Floor mount back outlet fixture support
-HD-750	750 lb. rated heavy duty
-HDX	1,000 Lb. rated extra heavy duty
-OR8	8” rolling thread ABS nipple (MC-10-PN8R-31)
-OR12*	12” rolling thread ABS nipple (MC-10-PN12R-31)

CALIFORNIA PROPOSITION 65 WARNING. This product contains chemicals known to the State of California to cause cancer and birth defects or other reproductive harm.

Job Name: \_\_\_\_\_ Page No: \_\_\_\_\_

Section No: \_\_\_\_\_ Contractor: \_\_\_\_\_

Schedule No: \_\_\_\_\_ Purchase Order No: \_\_\_\_\_