

Location: _____

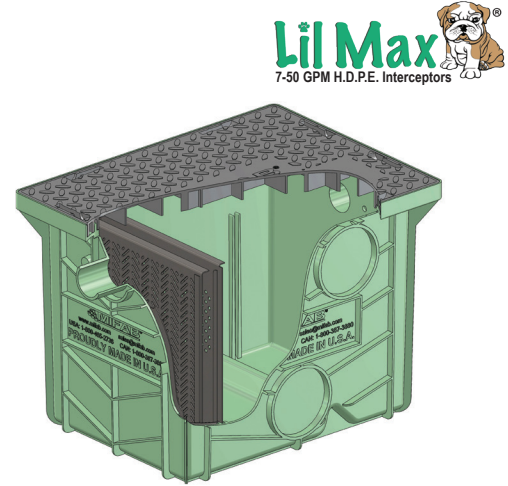
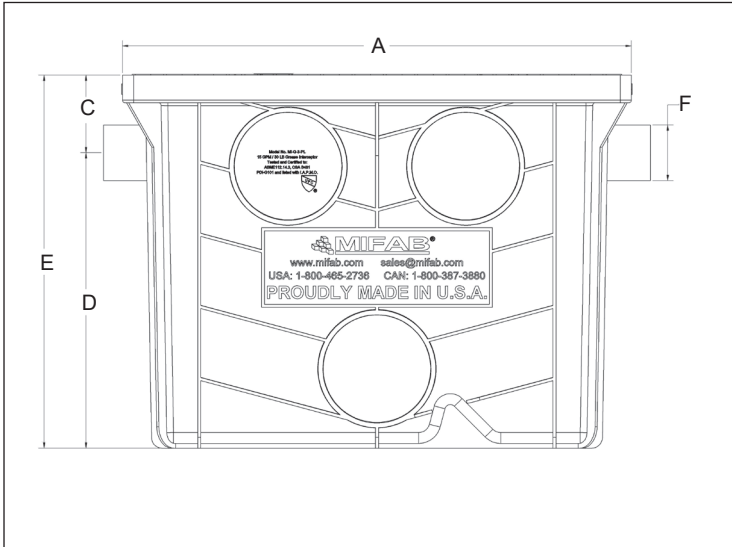


Lil-PL

**Lil Max® – 7 to 15 GPM
HDPE Plaster Interceptors**

Specification: MIFAB® Lil-(specify size)-PL HDPE injection molded plaster interceptor with flow rating of ____ (indicate) and solids storage holding capacity of ____ (indicate). Unit shall include: two internal straining baffles (first one has 3/8" x 1.25" long slots and the second one has 1/4" diameter holes spaced 1/2" apart, and HDPE injection molded, non skid, rectangular gasketed lid with securing latches. For indoor/outdoor use. For indoor/outdoor use.

Function: Plaster interceptors are required anywhere that solids may be introduced into the public sewer system in applications such as: barber shops, dentist offices, salons, artist studios, laundry facilities, machine shops, food waste, parking lots, car washes, food processing, livestock and agricultural drainage. These wastes must be separated before entering the sewer system. Typically installed either on or recessed in the floor. The plaster interceptor will filter out plaster and sediment from the fixture waste line before entering the pipe system to reduce clogging and improve performance. Interceptor is cleaned by removing the top gasketed lid and accessing the internal sediment bucket. Simple latch design permits fast and easy removal of the lid for cleaning and maintenance. HDPE injection molded body and lid are covered by a limited lifetime warranty. All Lil Max interceptors can withstand a temperature of up to and including 180 degrees Fahrenheit.



Note: Lid has a 350 lb. load capacity

MODEL NO.	FLOW RATE (GPM)	SOLIDS STORAGE HOLDING CAPACITY (Cu. Ft.)	A (IN)	B (IN) WIDTH	C (IN)	D (IN)	E (IN)	F (IN)	Shipping Weight (lbs.) (in box)	Box Dimensions (L x W x H)
Lil-7-PL	7	0.955	19.5	15.5	3.5	9	12.5	2	21	22" x 16" x 13"
Lil-15-PL	15	2.056	23	17.5	3.5	9.75	13.25	2	33	25" x 18" x 17.5"

Suffix	Description
-F	Connection sizes different from standard (specify size) (by using a MIFAB MI-HUB increasing / reducing coupling).
-FSCR	Stainless steel fine screen sediment bucket for Lil-7-PL
-FSCR	Stainless steel fine screen sediment bucket for Lil-15-PL
-HD	Heavy duty 10 gauge steel lid (up to 2,000 lbs.) - see MI-CS cover shrouds from the MPB price book
-LHSI	No hub inlet on left hand side (not available with sediment bucket)
-RHSI	No hub inlet on right hand side (not available with sediment bucket)
-SP-IN	External Sampling Port - inline (part # Lil-SP)
-SP-OFF	External Sampling Port - offset (part # Lil-SP-OFF)
-T	Female threaded connections

CALIFORNIA PROPOSITION 65 WARNING. This product contains chemicals known to the State of California to cause cancer and birth defects or other reproductive harm.

Job Name: _____ Page No: _____
 Section No: _____ Contractor: _____
 Schedule No: _____ Purchase Order No: _____

MIFAB® reserves the right to make changes in material and design without formal notice and obligation.