

Location: _____

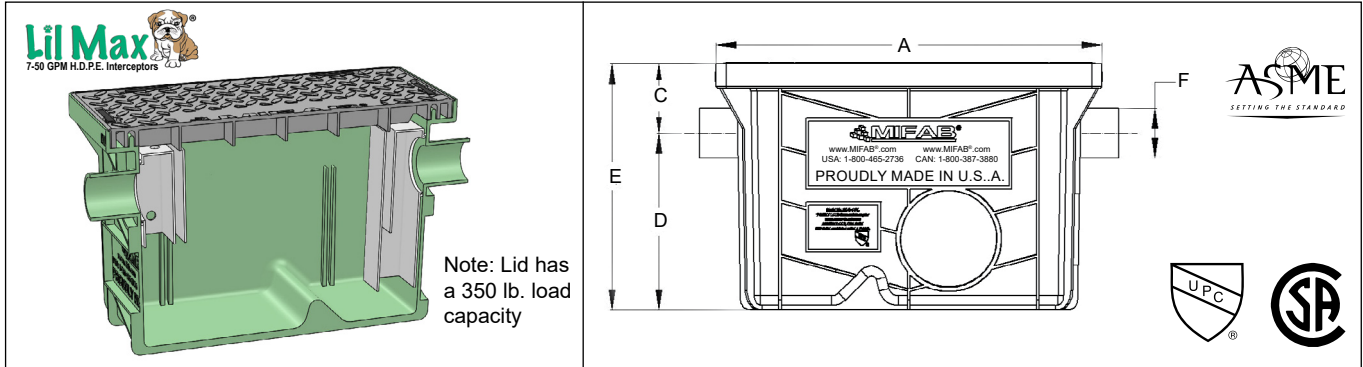


**LIL-35
DERM APPROVED**

**Lil Max® – 35 GPM HDPE Grease
Interceptor**

Specification: MIFAB® Series Lil-35 HDPE injection molded hydromechanical grease interceptor with flow rating of 35 GPM and grease holding capacity of 39 gallons. Unit shall include: removable baffle assembly, deep seal trap covered by lid, sewer gas stopper, securing latches, vented external flow control, internal air relief by pass, HDPE injection molded, non skid, rectangular gasketed lid(s). Note that the interceptor is tested and certified to the ASME A112.14.3 - 2018 (Type A), tested to PDI-G101 (Rev. 2017) protocols, CSA B481 and listed with I.A.P.M.O.

Function: Used in restaurants, kitchens, institutions and other types of food processing areas where fat, oil and grease (FOG) drains with the waste water. Interceptor may be installed on the ground, semi recessed or flush with the floor. Simple latch lid design permits fast and easy removal of the lid for cleaning and maintenance. HDPE injection molded body and lid is covered by a limited lifetime warranty. Sewer gas stopper prevents foul odors from entering the kitchen area through the interceptor. All Lil Max interceptors can withstand a temperature of up to and including 180 degrees Fahrenheit.



MODEL NO.	FLOW RATE (GPM)	LIQUID CAP. (Gallons / Cu. Ft.)	1 x GI Capacity (lbs) @ 99%	2 x GI Capacity (lbs) @ 99%	3 x GI Capacity (lbs) @ 99%	4 x GI Capacity (lbs) @ 99%	A (IN)	B (IN) WIDTH	C (IN)	D (IN)	E (IN)	F (IN)	Shipping Weight (lbs.) (in box)	Box Dimensions (L x W x H)
Lil-35	35	39 / 5.2	0.00	83.12	83.12	166.24	33	25.5	5.5	16.75	22.25	3	52	35" x 26" x 23"

SUFFIX	OPTIONAL VARIATIONS	PART NO.
-C	Extension "C" as required (up to 9" increments) (for models Lil-20 and Lil-25) (contact MIFAB for other model extensions)	Lil-25-EXT
-C	Extension "C" as required (up to 9" increments) (for models Lil-35, Lil-50 and Lil-25-LP)	Lil-50-EXT
-DP	Dosing Pump for Lil Max, Big Max, SuperMax	XL-MI-PL-DP
-EP	Enzyme port for Lil Max, Big Max, SuperMax	XL-MI-PL-EP
-F	Connection sizes different from standard (specify size) (up to 4" with No Hub and up to 3" with F.I.P. connection)	Contact MIFAB
-HD	Heavy duty 10 gauge stainless steel re-enforced lid - 2,000 lbs. load rating. (see pg. 26 for image)	Contact MIFAB
-HLA	High level alarm and float switch (to be installed on site) (for Lil Max, Big Max, SuperMax)	XL-MI-PL-HLA
-LHSI	No hub inlet on left hand side (not available with sediment bucket) (for Lil Max, Big Max, SuperMax)	MI-G-PL-PF4
-LHSO	No hub outlet on left hand side (not available with sediment bucket) (for Lil Max, Big Max, SuperMax)	MI-G-PL-PF4
-PDI	PDI plate and external, vented flow control fitting (to meet PDI G-101 Standard)	Contact MIFAB
-POK	Remote pump out kit (also includes Remote Pump Out (-RPO))	Contact MIFAB
-RHSI	No hub inlet on right hand side (not available with sediment bucket) (for Lil Max, Big Max, SuperMax)	MI-G-PL-PF4
-RHSO	No hub outlet on right hand side (not available with sediment bucket) (for Lil Max, Big Max, SuperMax)	MI-G-PL-PF4
-RPO	2" Remote pump outlet connections on top of interceptor - specify location and number required	Contact MIFAB
-SB	Sediment bucket for Lil-7	MI-G-1-PL-PSB
-SB	Sediment bucket for Lil-10	MI-G-2-PL-PSB
-SB	Sediment bucket for Lil-15	MI-G-3-PL-PSB
-SB	Sediment bucket for Lil-20	MI-G-4-PL-PSB
-SB	Sediment bucket for Lil-25	MI-G-5-PL-PSB
-SB	Sediment bucket for Lil-35	MI-G-6-PL-PSB
-SB	Sediment bucket for Lil-50	MI-G-7-PL-PSB
-SB	Sediment bucket for Lil-25-LP	MI-G-5-PL-PSB-FSCR
-SP-IN	External sampling port - inline	Lil-SP
-SP-OF	External sampling port - offset	Lil-SP-OF
-T	Female threaded connections (for Lil Max, Big Max, SuperMax - two pieces required)	MI-G-PL-PF4T

CALIFORNIA PROPOSITION 65 WARNING. This product contains chemicals known to the State of California to cause cancer and birth defects or other reproductive harm.

Job Name: _____ Page No: _____
 Section No: _____ Contractor: _____
 Schedule No: _____ Purchase Order No: _____