

Location: _____



JK

PRV JUMPER KIT

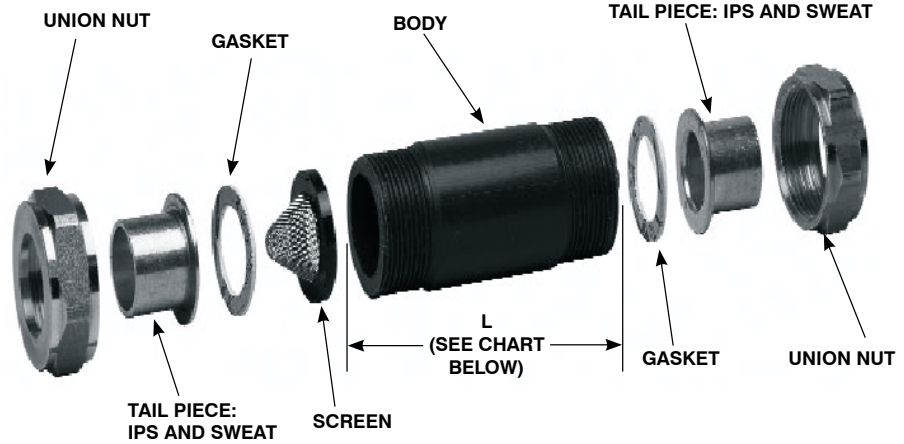
Specification: Jumper Kits are used in new construction to temporarily take the place of your BEECO Pressure Reducing Valve, prior to the actual installation on potable water supply systems. The use of a this BEECO jumper permits testing of the building piping system for leaks and pressure loss and allows for flushing or construction debris prior to the installation of the water pressure reducing valve. The jumper kit reduces loss from theft or vandalism in area where there is not security around the clock. Kits consist of union connections, washers, a SS strainer and a brass pipe nipple.

Ratings: Lab tested to withstand 250 PSI of incoming pressure. Maximum working Temperature 180° F.

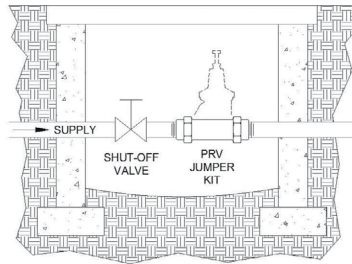
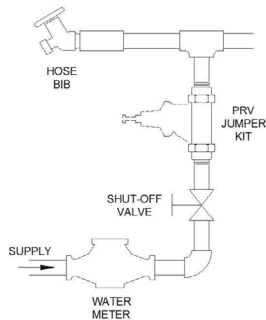
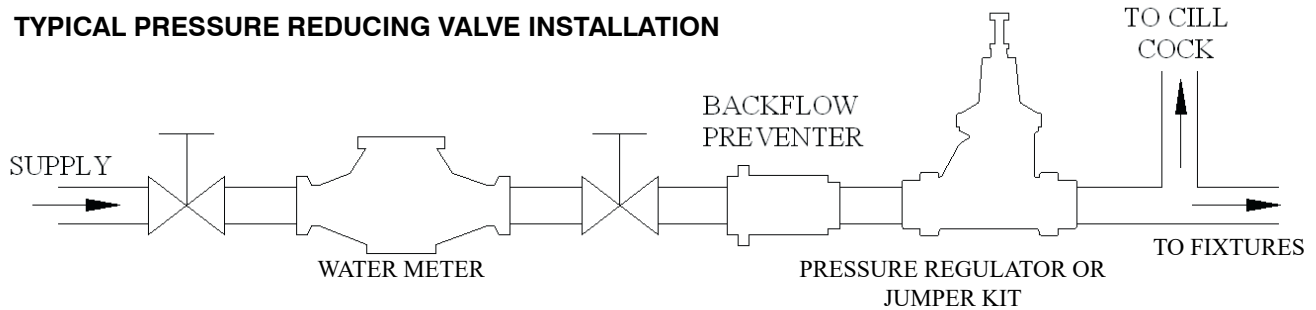
Materials: Body High impact PVC, Screen Stainless Steel, Union Nut Corrosion Resistant Brass, Tail Piece Brass.

Features: Comes in both IPS and Sweat connections, Union Nuts for ease of removal, Comes standard with a Stainless Steel sediment screen.

Model No.	Length
PRV.50-SWT-JK	3.40"
PRV.75-SWT-JK	3.40"
PRV1.00-SWT-JK	4.00"
PRV1.25-SWT-JK	4.63"
PRV.50-IPS-JK	3.40"
PRV.75-IPS-JK	3.40"
PRV1.00-IPS-JK	4.00"
PRV1.25-IPS-JK	4.63"



TYPICAL PRESSURE REDUCING VALVE INSTALLATION



NOTE: THE BODY MUST ALWAYS BE USED WITH THE GASKETS FOR THE PRV TO FIT THE SPACE WHEN THE JUMPER KIT IS REMOVED.

SUFFIX OPTIONAL VARIATIONS

- UK Union Kit Only
- BODY Body Only

CALIFORNIA PROPOSITION 65 WARNING. This product contains chemicals known to the State of California to cause cancer and birth defects or other reproductive harm.

Job Name: _____ Page No: _____
 Section No: _____ Contractor: _____
 Schedule No: _____ Purchase Order No: _____