

Location: _____

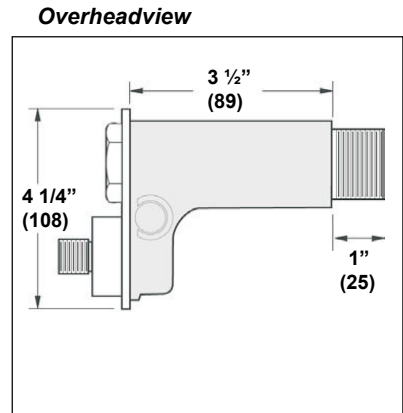
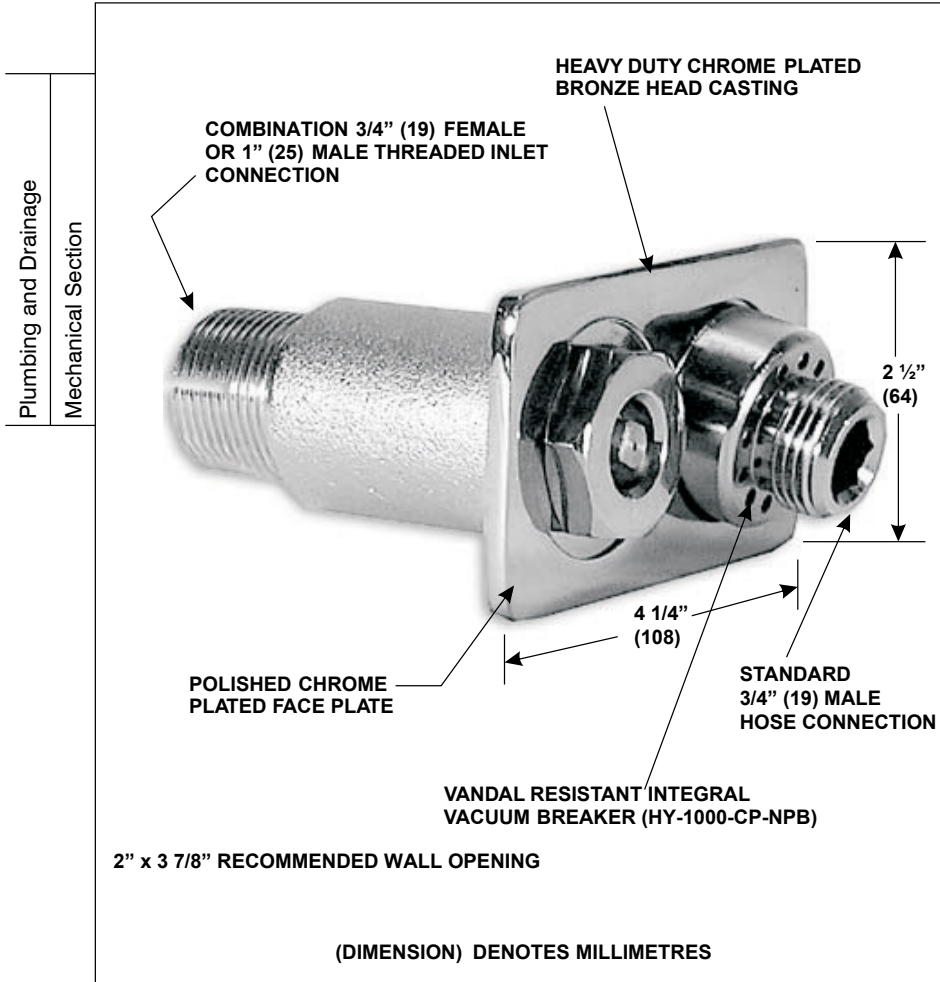


HY-3000-NPB

LOW LEAD MODERATE CLIMATE WALL HYDRANT

Specification: MIFAB® Series HY-3000-NPB exposed type, self draining, low lead, moderate climate wall hydrant with A.S.S.E. 1011 certified anti-siphon and vandal resistant integral vacuum breaker with 3/4" (19) male hose connection. Hydrant assembly complete with one piece neoprene plunger to control the flow function, hardened bronze operating stem, heavy duty chrome plated bronze head casting and polished chrome plated face plate. Operating key to be furnished with each hydrant.

Function: Designed for commercial applications in moderate climate areas. Ideal for office buildings, apartment complexes, malls, shopping centers, schools, churches and industrial buildings.



- **HY-3000-NPB SERIES FEATURES:**
- **INTERNAL COMPONENTS** - hardened bronze operating stem and neoprene plunger.
- **VACUUM BREAKER** - unique self draining vandal resistant integral vacuum breaker protects from anti-siphon conditions.
- **FACE PLATE** - polished chrome plated.
- **APPROVALS** - HY-3000-NPB Series wall hydrant is listed with I.A.P.M.O and is manufactured with an anti-siphon vacuum breaker that is tested and certified to the A.S.S.E. Standard 1011.



The wetted surface contacted by consumable water contains less than one quarter of one percent (0.25%) of lead by weight.

MODEL NO.	WALL THICKNESS	OVERALL LENGTH	APPROXIMATE WEIGHT	INLET CONNECTION
HY-3000-NPB	3 1/2"	3 1/2" 114	2 0.9	3/4" Female, 1" Male IPS combination

SUFFIX **OPTIONAL VARIATIONS:**
 -BA Buy American Act compliant product
 -PA Pennsylvania Steel Act compliant product
 -0 1" (25) Hose connection

CALIFORNIA PROPOSITION 65 WARNING. This product contains chemicals known to the State of California to cause cancer and birth defects or other reproductive harm.

Job Name: _____ Page No: _____
 Section No: _____ Contractor: _____
 Schedule No: _____ Purchase Order No: _____