

Location: _____

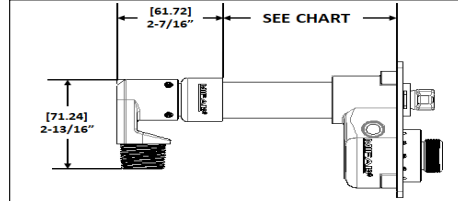
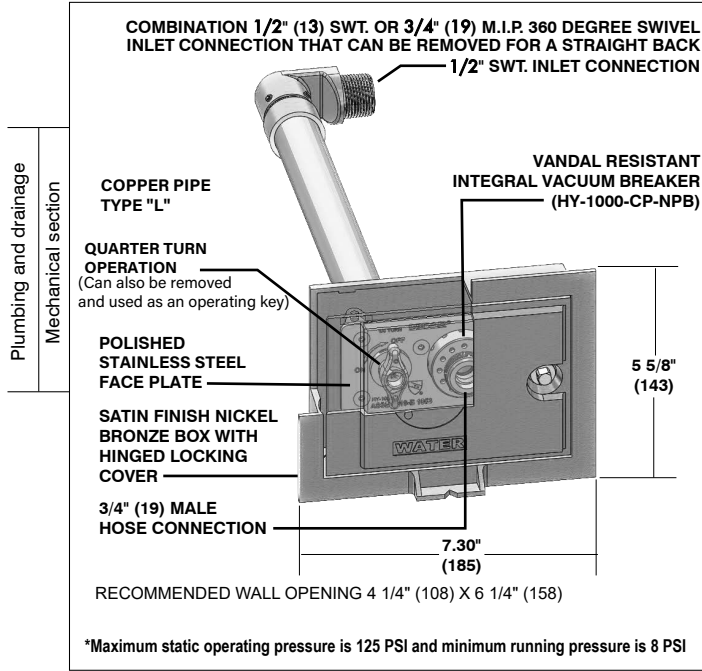


HY-2000-NPB

**ENCASED NON FREEZE
LOW LEAD WALL HYDRANT**

Specification: MIFAB® Series HY-2000-NPB A.S.S.E. 1019-B and 1053 certified exposed type, self draining, non freeze low lead wall hydrant with A.S.S.E. 1011 approved anti-siphon and vandal resistant integral vacuum breaker with 3/4" (19) male hose connection. Hydrant assembly complete with quarter turn neoprene plunger to control both the flow and drain functions, hardened bronze operating stem, drain port under the hexagon nut, copper casing, 360 degree swivel inlet connection, heavy duty chrome plated bronze head casting, polished stainless steel face plate, and satin finished nickel bronze box with hinged locking cover. Operating key to be furnished with each hydrant.

Function: Designed to blend in with commercial applications such as office buildings, apartment complexes, malls and shopping centers, schools, churches and industrial buildings.



MIFAB® HY-2000-NPB Series Features:

- **SWIVEL CONNECTION** - 360 degree combination 1/2" SWT. and 3/4" male threaded inlet connection. Swivel connection can be removed for 1/2" SWT. straight back inlet.
- **VACUUM BREAKER** - unique vandal resistant integral vacuum breaker protects owner from anti-siphon conditions. Self draining.
- **FACE PLATE** - polished stainless steel.
- **CASING** - Copper casing.
- **APPROVALS** - HY-2000-NPB Series wall hydrant is tested and certified by C.S.A. to the A.S.S.E. Standard 1019-B and 1053. The anti-siphon vacuum breaker is tested and certified by C.S.A to the A.S.S.E. Standard 1011.

The wetted surface contacted by consumable water contains less than one quarter of one percent (0.25%) of lead by weight.

| MODEL NO. | WALL THICKNESS | | OVERALL LENGTH | | APPROXIMATE WEIGHT | | SWIVEL INLET CONNECTION |
|-------------|----------------|-----|----------------|-----|--------------------|------|--------------------------------------|
| | IN | MM | IN | MM | Lbs. | Kg. | IN |
| HY-2006-NPB | 6 | 152 | 10 | 254 | 7.0 | 3.18 | 1/2" SWT., 3/4" Male IPS combination |
| HY-2008-NPB | 8 | 203 | 12 | 306 | 8.0 | 3.63 | 1/2" SWT., 3/4" Male IPS combination |
| HY-2010-NPB | 10 | 254 | 14 | 357 | 9.0 | 4.08 | 1/2" SWT., 3/4" Male IPS combination |
| HY-2012-NPB | 12 | 305 | 16 | 406 | 9.5 | 4.31 | 1/2" SWT., 3/4" Male IPS combination |
| HY-2014-NPB | 14 | 356 | 18 | 457 | 10.0 | 4.54 | 1/2" SWT., 3/4" Male IPS combination |
| HY-2016-NPB | 16 | 406 | 20 | 508 | 10.0 | 4.54 | 1/2" SWT., 3/4" Male IPS combination |
| HY-2018-NPB | 18 | 457 | 22 | 559 | 11.0 | 4.99 | 1/2" SWT., 3/4" Male IPS combination |
| HY-2020-NPB | 20 | 508 | 24 | 610 | 12.0 | 5.44 | 1/2" SWT., 3/4" Male IPS combination |
| HY-2022-NPB | 22 | 559 | 26 | 660 | 13.0 | 5.90 | 1/2" SWT., 3/4" Male IPS combination |
| HY-2024-NPB | 24 | 610 | 28 | 711 | 13.0 | 5.90 | 1/2" SWT., 3/4" Male IPS combination |
| HY-2026-NPB | 26 | 660 | 30 | 762 | 14.0 | 6.35 | 1/2" SWT., 3/4" Male IPS combination |

SUFFIX OPTIONAL VARIATIONS

- 0 1" (25) Hose connection
- 3 Cast stainless steel hydrant box
- 49 Polished chrome plated nickel bronze box
- BA Buy American Act compliant product

SUFFIX OPTIONAL VARIATIONS

- K Cylinder key lock
- PA Pennsylvania Steel Act compliant product
- RB Fabricated stainless steel hydrant box with round back for tilt up construction (MHY-3-RB- 5 7/8" round back with 2" x 3.81" rectangular opening to receive hydrant).
- S Four 1" x 1/4" (25 x 6) slots on top and two sides of box to receive mounting brackets
- WC Wall clamp

CALIFORNIA PROPOSITION 65 WARNING. This product contains chemicals known to the State of California to cause cancer and birth defects or other reproductive harm.

Job Name: _____ Page No: _____
 Section No: _____ Contractor: _____
 Schedule No: _____ Purchase Order No: _____